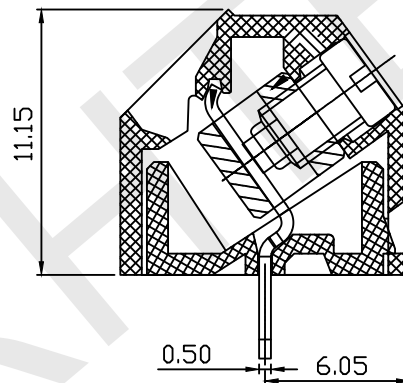
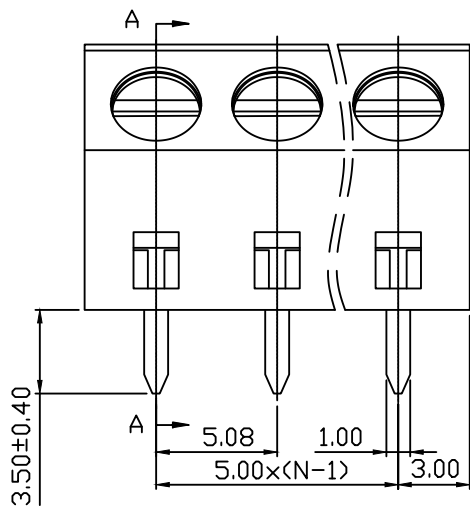


PCB LAYOUT



SECTION: A-A

Material

Screw: M2.5, steel, Zn plated
 Cage: Brass, Nickel plated
 Pin header: Brass, Tin plated
 Housing: PA66, UL94V-0

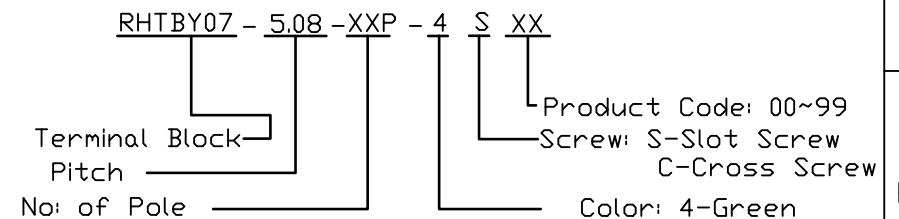
Electrical

Rated voltage: 300V
 Rated current: 15A
 Wire Range: 26~14AWG 1.5mm²
 Contact Resistance: 20mΩ
 Insulation resistance: 500MΩ/DC500V
 Withstand voltage: AC2000V/1min

Mechanical

Temp. Range: -40°C~+105°C
 Soldering: 250°C±5°C for 5S
 Torque: 0.4Nm(3.54Lbin)
 Strip length: 6~7mm

Order Information



UNITS:mm	SHEET SIZE: A4			SCALE:---	DRWN BY PAN
0~3	3~18	18~50	50~120	CHK'D BY FENG	
±0.12	±0.15	±0.3	±0.5	APPR BY ZHAN	

Screw CONN TERM Block 5.08mm	
THIRD ANGLE PROJECTION	RHTBY07-5.08-XXP-4S



NINGBO RHT ELECTRONIC CO.,LTD