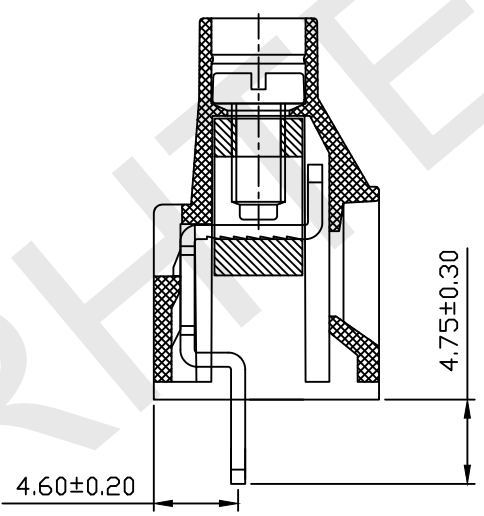
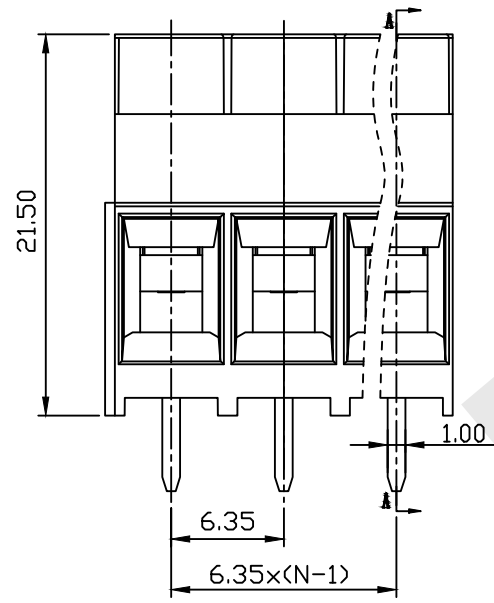


PCB LAYOUT



SECTION A-A

Material

Screw: M3.0, steel, Zn plated
 Cage: Brass, Nickel plated
 Pin header: Brass, Tin plated
 Housing: PA66, UL94V-0, Green

Electrical

Rated voltage: 300V
 Rated current: 30A
 Wire Range: 24~10AWG 4mm²
 Contact Resistance: 20mΩ
 Insulation resistance: 500MΩ/DC1000V
 Withstand voltage: AC2000V/1min

Mechanical

Temp. Range: -40°C~+105°C
 Soldering: 250°C±5Sec. Max
 Torque: 0.5Nm(4.43Lb.)in
 Strip length: 6~7mm

Order Information

RHTBY35-6.35-XXP-4 S XX
 Terminal Block
 Pitch
 No. of Pole
 Color: 4-Green
 Screw: S-Slot Screw C-Cross Screw
 Code: Product Code: 00~99

NINGBO RHT ELECTRONIC CO.,LTD

| | | | | |
|----------|----------------|-------|-----------|---------------|
| UNITS:mm | SHEET SIZE: A4 | | SCALE:--- | DRWN BY PAN |
| 0~3 | 3~18 | 18~50 | 50~120 | CHK'D BY FENG |
| ±0.12 | ±0.15 | ±0.3 | ±0.5 | APPR BY ZHAN |

Screw CONN TERM BLOCK 6.35MM
 THIRD ANGLE PROJECTION
 RHTBY35-6.35-XXP-4S