

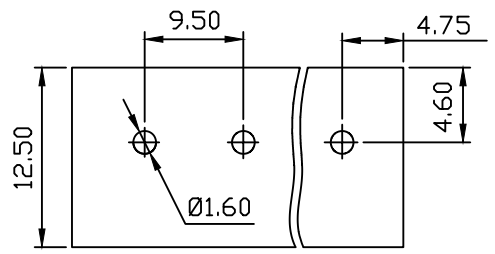
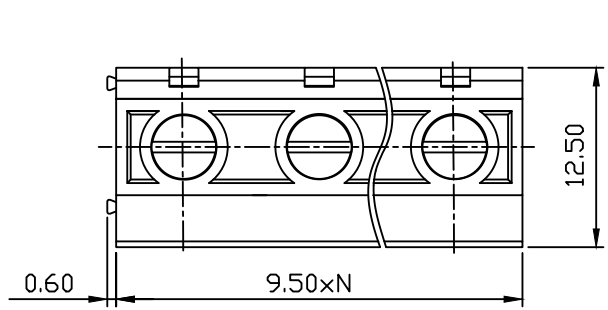
Material  
 Screw: M3.0, steel, Zn plated  
 Cage: Brass, Nickel plated  
 Pin header: Brass, Tin plated  
 Housing: PA66, UL94V-0, Green

Electrical  
 Rated voltage: 300V  
 Rated current: 30A  
 Wire Range: 24~10AWG 4mm<sup>2</sup>  
 Contact Resistance: 20mΩ  
 Insulation resistance: 500MΩ/DC1000V  
 Withstand voltage: AC2000V/1min

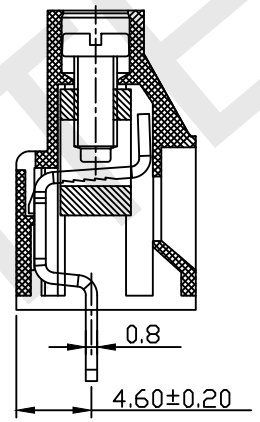
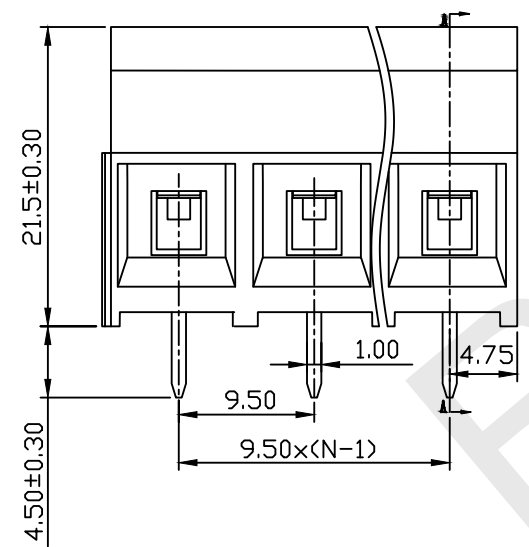
Mechanical  
 Temp. Range: -40°C~+105°C  
 Soldering: 250°C 5Sec. Max  
 Torque: 0.5Nm (4.43Lb.)in  
 Strip length: 6~7mm

Order Information

RHTBY50 - 9.50 - XXP - 4 S XX  
 Terminal Block  
 Pitch  
 No. of Pole  
 Color: 4-Green  
 Screw: S-Slot Screw C-Cross Screw  
 Code: Product Code: 00~99



PCB LAYOUT



SECTION A-A

**RHTECP** NINGBO RHT ELECTRONIC CO.,LTD

UNITS:mm	SHEET SIZE: A4	SCALE:---	DRWN BY PAN
0~3	3~18	18~50	50~120
±0.12	±0.15	±0.3	±0.5
CHK'D BY FENG		APPR BY ZHAN	

Screw CONN TERM BLOCK 9.50MM  
 THIRD ANGLE PROJECTION  
 RHTBY50-9.50-XXP-4S