

Material

Screw: M5, Steel, Zn plated
 Cage: Brass, Nickel plated
 Pin header: Brass, Tin plated
 Housing: PA66, UL94V-0

Electrical

Rated voltage: 600V
 Rated current: 115A
 Wire Range: 20~2AWG 35mm²
 Contact Resistance: 20mΩ
 Insulation resistance: 500MΩ/DC1000V
 Withstand voltage: AC3500V/1min

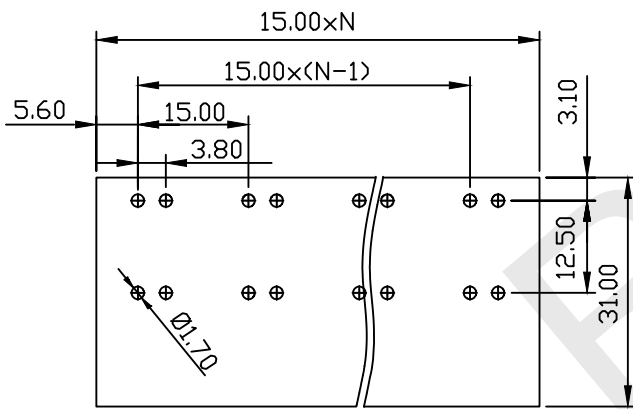
Mechanical

Temp. Range: -40°C~+105°C
 Soldering: 250°C 5Sec. Max.
 Torque: 2.0N.m(17.7b.in)
 Strip length: 18~19mm

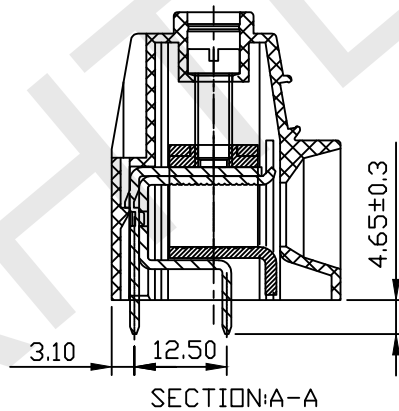
Order Information

RHTBY70 - 15.0 - XXP - 4 S XX

Terminal Block
 Pitch
 NO. of Pole
 Product Code: 00~99
 Screw: S-Slot Screw
 Color: 4-Green



PCB LAYOUT



UNITS:mm	SHEET SIZE: A4			SCALE:---	DRWN BY PAN
0~3	3~18	18~50	50~120	CHK'D BY FENG	THIRD ANGLE PROJECTION
±0.12	±0.15	±0.3	±0.5	APPR BY ZHAN	

Screw Conn Term Block 15.00mm	
RHTBY70-15.0-XXP-4S	



NINGBO RHT ELECTRONIC CO.,LTD