

Material

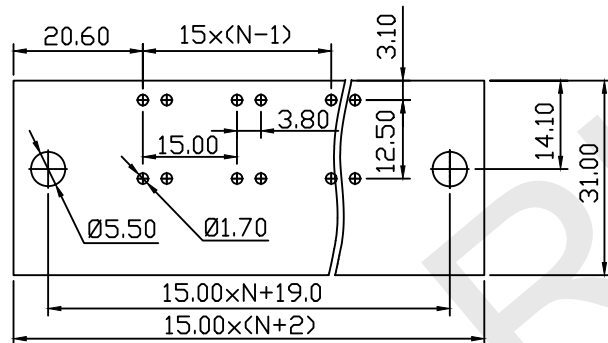
Screw: M5,Steel, Zn plated
 Cage: Brass, Nickel plated
 Pin header: Brass, Tin plated
 Housing: PA66,UL94V-0

Electrical

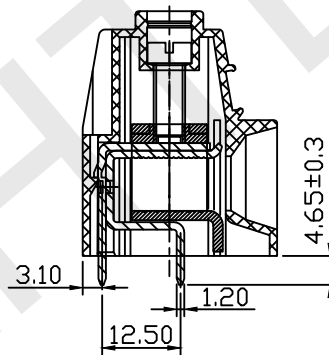
Rated voltage: 600V
 Rated current: 115A
 Wire Range: 20~2AWG 35mm²
 Contact Resistance: 20mΩ
 Insulation resistance: 500MΩ/DC1000V
 Withstand voltage: AC3500V/1min

Mechanical

Temp .Range: -40℃~+105℃
 Soldering: 250℃ 5Sec. Max.
 Torque: 2.0N.m(17.7b.in)
 Strip length: 18~19mm

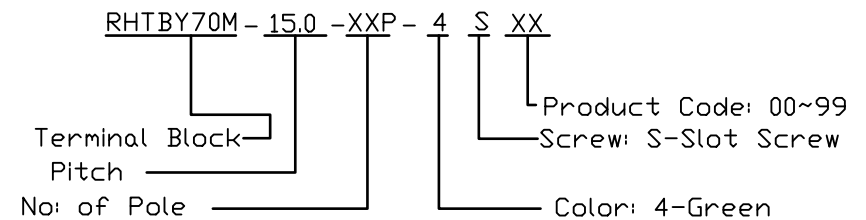


PCB LAYOUT



SECTION:A-A

Order Information



UNITS:mm	SHEET SIZE: A4	SCALE:---	DRWN BY PAN
0~3	3~18	18~50	50~120
±0.12	±0.15	±0.3	±0.5
CHK'D BY FENG		APPR BY ZHAN	

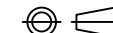
Screw Conn Term Block 15.00mm	
THIRD ANGLE PROJECTION	RHTBY70M-15.0-XXP-4S



NINGBO RHT ELECTRONIC CO.,LTD

Screw Conn Term Block 15.00mm

THIRD ANGLE PROJECTION



RHTBY70M-15.0-XXP-4S