

PCB LAYOUT

Material

Housing: PA66,UL94V-0
 Pin Header: Brass, Tin plated
 Clamp: Brass, Ni plated
 Screw: M2.5 steel Zinc plated

Electrical

Rated voltage: 300V
 Rated current: 15A
 Contact Resistance: 20mΩ
 Insulation resistance: 500MΩ/DC500V
 Withstand voltage: AC2000V/1min
 Wire Range: 30~14AWG 2.5mm²

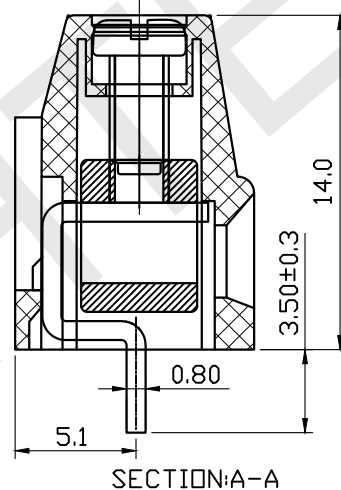
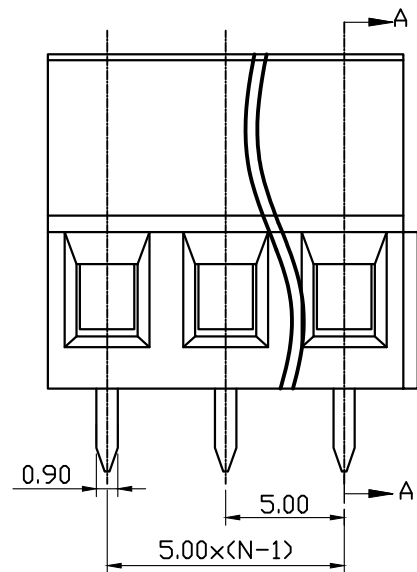
Mechanical

Temp. Range: -40°C~+105°C
 Strip length: 6~7mm
 Torque: 0.4Nm(3.5Lb.in)

Order Information

RHTAY28I - 5.00 - XXP - 4 S 00

Terminal Block
 Pitch
 No: of Pole
 Color: 4-Green
 Screw: S-Slot Screw
 Product Code: 00~99



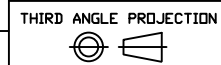
SECTION: A-A

UNITS:mm	SHEET SIZE: A4			SCALE:---	DRWN BY PAN
0~3	3~18	18~50	50~120	CHK'D BY FENG	
±0.12	±0.15	±0.3	±0.5	APPR BY ZHAN	

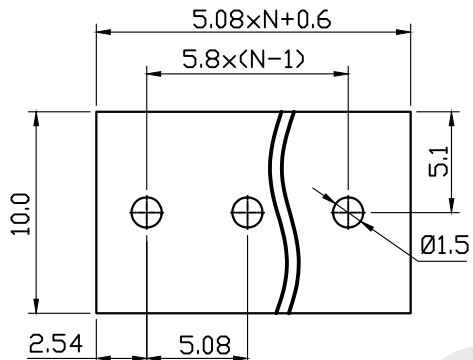
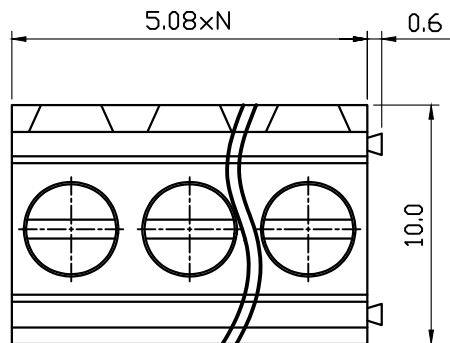
Screw Conn Term 5.08mm	
THIRD ANGLE PROJECTION	RHTBY28I-5.00-XXP-4S



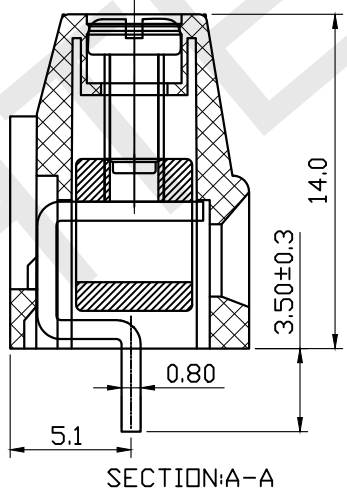
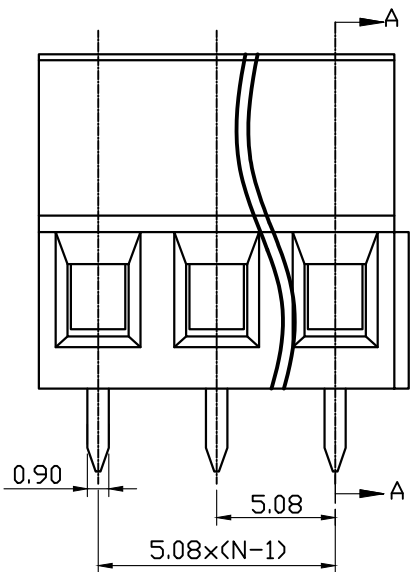
NINGBO RHT ELECTRONIC CO.,LTD



RHTBY28I-5.00-XXP-4S



PCB LAYOUT



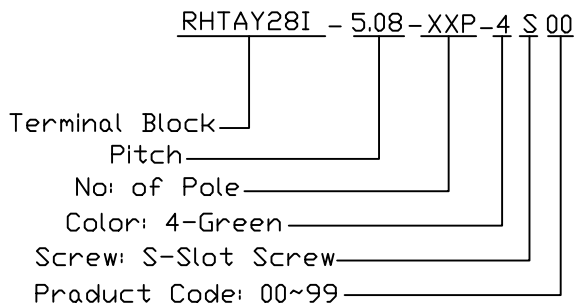
SECTION:A-A

Material
 Housing: PA66,UL94V-0
 Pin Header: Brass, Tin plated
 Clamp: Brass, Ni plated
 Screw: M2.5 steel Zinc plated

Electrical
 Rated voltage: 300V
 Rated current: 15A
 Contact Resistance: 20mΩ
 Insulation resistance: 500MΩ/DC500V
 Withstand voltage: AC2000V/1min
 Wire Range:30~14AWG 2.5mm^e

Mechanical
 Temp. Range: -40℃~+105℃
 Strip length: 6~7mm
 Torque: 0.4Nm(3.5Lb.in)

Order Information



RHTECP NINGBO RHT ELECTRONIC CO.,LTD

UNITS:mm	SHEET SIZE: A4			SCALE:---	DRWN BY PAN
0~3	3~18	18~50	50~120	CHK'D BY FENG	
±0.12	±0.15	±0.3	±0.5	APPR BY ZHAN	

Screw Conn Term 5.08mm

THIRD ANGLE PROJECTION

RHTBY28I-5.00-XXP-4S