

PCB LAYOUT

Material
 Screw: M2.5, Steel Zn plated
 Cage: Brass, Nickel plated
 Pin Header: Brass, Tin plated
 Housing: PA66, UL94V-0

Electrical
 Rated voltage: 300V
 Rated current: 16A
 Wire Range: 22~12AWG 2.5mm²
 Contact Resistance: 20mΩ
 Insulation resistance: 500MΩ/DC500V
 Withstand voltage: AC2000V/1min

Mechanical
 Temp. Range: -40°C~+105°C
 Soldering: 250°C 5Sec. Max.
 Torque: 0.4Nm(3.54 Lb.in)
 Strip length: 6~7mm

Order Information

RHTBY28- 5.00 - XXP-4 S XX

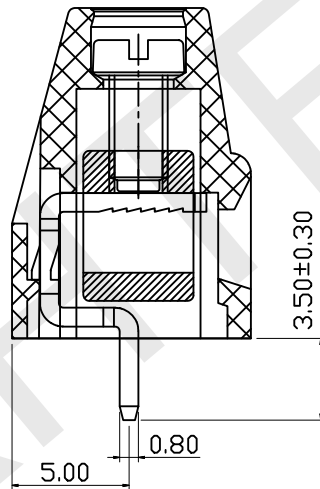
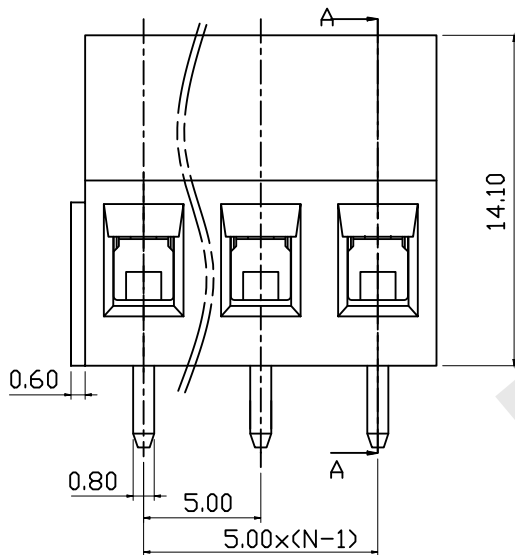
Terminal Block

Pitch

No. of Pole

Product Code: 00 ~99
 S- Slot Screw
 C-cross Screw

Color: 4-Green



SECTION A-A

UNITS:mm	SHEET SIZE: A4			SCALE:---	DRWN BY PAN
0~3	3~18	18~50	50~120	CHK'D BY FENG	THIRD ANGLE PROJECTION
±0.12	±0.15	±0.3	±0.5	APPR BY ZHAN	

Screw Conn Term Block 5.0mm

RHYBY28-5.00-XXP-4S

NINGBO RHT ELECTRONIC CO.,LTD