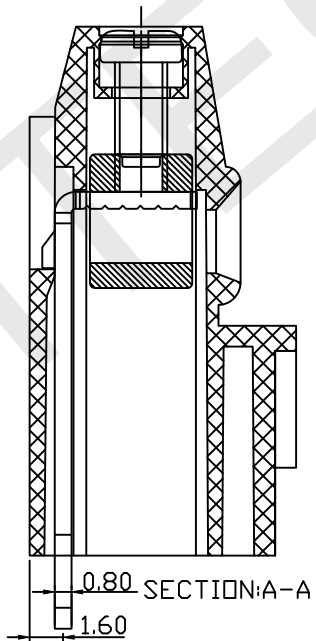
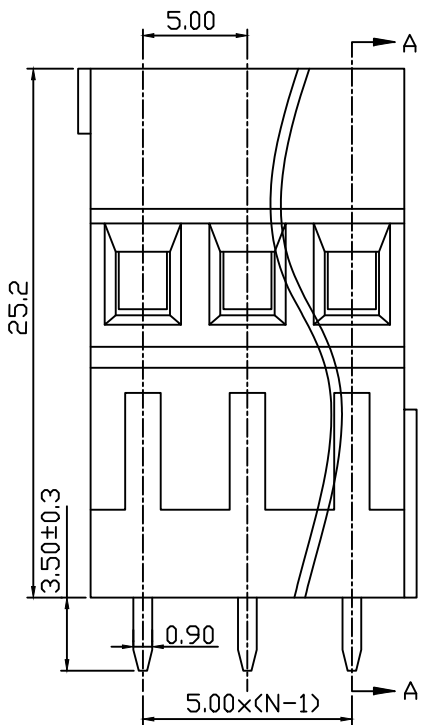


PCB LAYOUT



Material
 Housing: PA66, UL94V-0
 Pin header: Brass, Tin plated
 Clamp: Brass, Ni plated
 Screw: M2.5, steel Zinc plated

Electrical
 Rated voltage: 300V
 Rated current: 15A
 Contact Resistance: 20Ω
 Insulation resistance: 500MΩ/DC500V
 Withstand voltage: AC2000V/1min
 Wire Range: 30~14AWG 2.5mm²

Mechanical
 Temp.Range: -40℃~+105℃
 Strip length: 6~7mm
 Torque: 0.4Nm (3.5Lb.in)

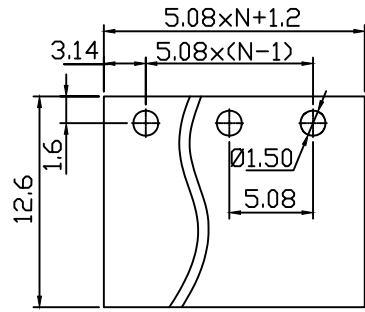
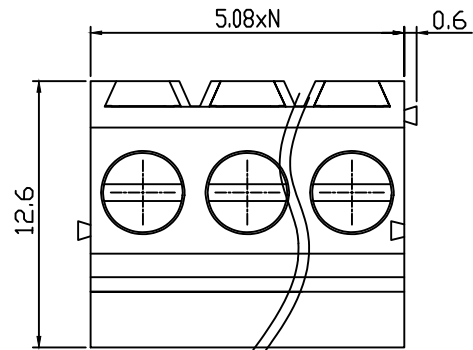
Order information

RHTBY28IH-5.00-XXP-4 S 00
 Terminal Block
 Pitch
 No. of Pole
 Color: 4-Green
 Screw: S-Slot Screw
 Product Code: 00~99

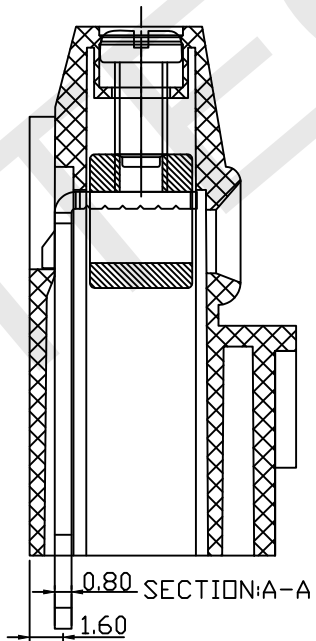
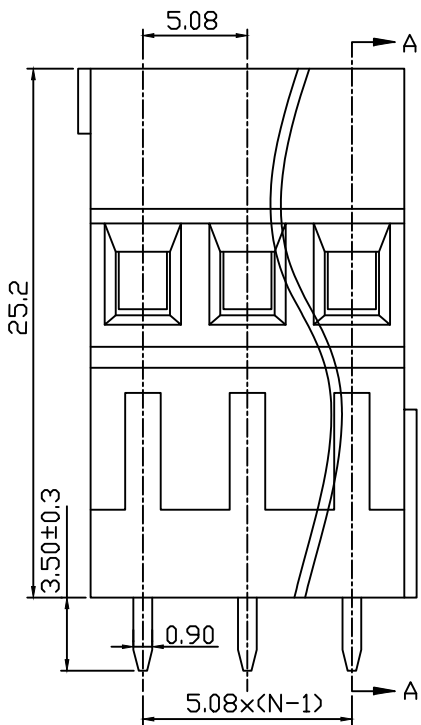
RHTECP NINGBO RHT ELECTRONIC CO.,LTD

UNITS:mm	SHEET SIZE: A4			SCALE:---	DRWN BY PAN
0~3	3~18	18~50	50~120	CHK'D BY FENG	
±0.12	±0.15	±0.3	±0.5	APPR BY ZHAN	

Screw Conn Term Block 5.00mm
 THIRD ANGLE PROJECTION
 RHTBY28IH-5.00-XXP-4S



PCB LAYOUT

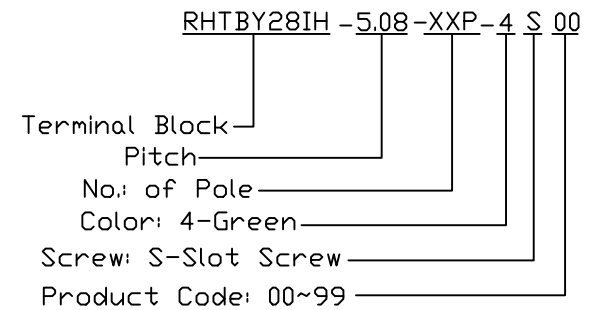


Material
 Housing: PA66, UL94V-0
 Pin header: Brass, Tin plated
 Clamp: Brass, Ni plated
 Screw: M2.5, steel Zinc plated

Electrical
 Rated voltage: 300V
 Rated current: 15A
 Contact Resistance: 20Ω
 Insulation resistance: 500MΩ/DC500V
 Withstand voltage: AC2000V/1min
 Wire Range: 30~14AWG 2.5mm²

Mechanical
 Temp.Range: -40℃~+105℃
 Strip length: 6~7mm
 Torque: 0.4Nm (3.5Lb.in)

Order information



RHTECP NINGBO RHT ELECTRONIC CO.,LTD

UNITS:mm	SHEET SIZE: A4			SCALE:---	DRWN BY PAN
0~3	3~18	18~50	50~120	CHK'D BY FENG	
±0.12	±0.15	±0.3	±0.5	APPR BY ZHAN	

Screw Conn Term Block 5.08mm

THIRD ANGLE PROJECTION

RHTBY28IH-5.08-XXP-4S