

Material  
 Housing: PA66,UL94V-0  
 Clamp: Brass, Ni plated  
 Pin Header: Brass, Tin plated  
 Screw: M3.0,steel Zinc plated

Electrical  
 Rated voltage: 300V  
 Rated current: 20A  
 Contact Resistance: 20mΩ  
 Insulation resistance: 500MΩ/DC500V  
 Withstand voltage: AC2000V/1min  
 Wire Range: 26~12AWG 2.5mm<sup>2</sup>

Mechanical  
 Temp.Range: -40℃~+105℃  
 Strip length: 6~7mm  
 Torque: 0.5Nm(4.5Lb.in)

Order Information

RHTBY29R -5.00-XXP-4 S 00

Terminal Block  
 Pitch  
 No: of Pole  
 Color: 4-Green  
 Screw:S-Slot Screw  
 Product Code: 00~99

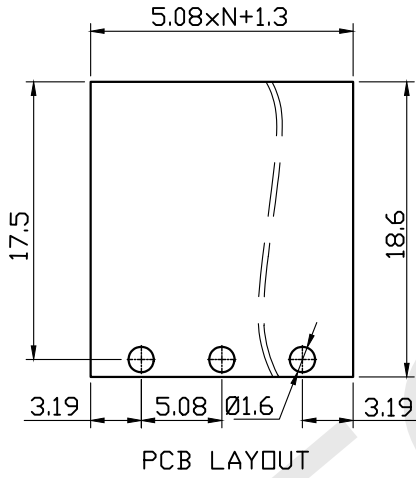
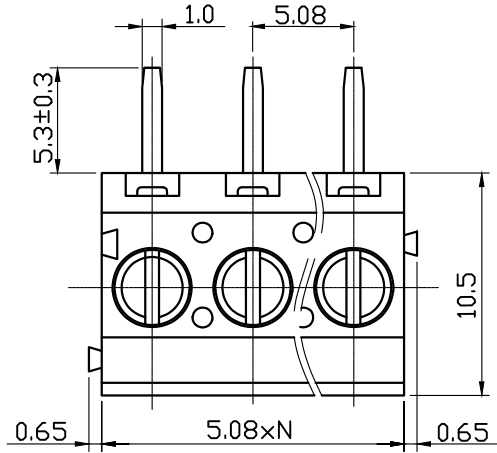
**RHTECP** NINGBO RHT ELECTRONIC CO.,LTD

UNITS:mm	SHEET SIZE: A4		SCALE:---		DRWN BY PAN
0~3	3~18	18~50	50~120	CHK'D BY FENG	
±0.12	±0.15	±0.3	±0.5	APPR BY ZHAN	

THIRD ANGLE PROJECTION

Screw Conn Term Block 5.00mm

RHYBY29R-5.00-XXP-4S



Material  
 Housing: PA66,UL94V-0  
 Clamp: Brass, Ni plated  
 Pin Header: Brass, Tin plated  
 Screw: M3.0,steel Zinc plated

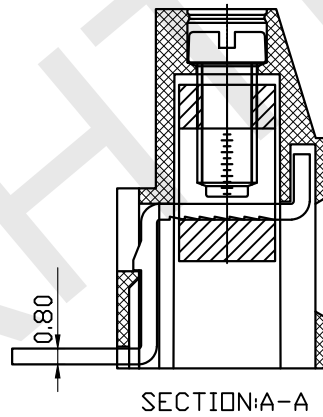
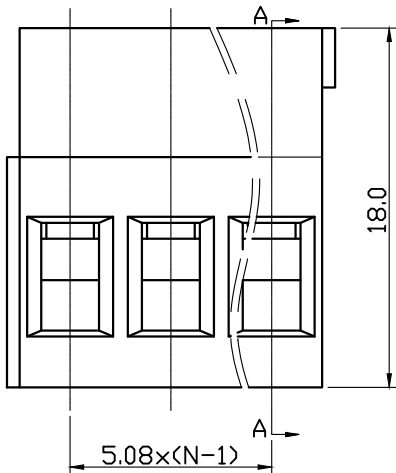
Electrical  
 Rated voltage: 300V  
 Rated current: 20A  
 Contact Resistance: 20mΩ  
 Insulation resistance: 500MΩ/DC500V  
 Withstand voltage: AC2000V/1min  
 Wire Range: 26~12AWG 2.5mm<sup>2</sup>

Mechanical  
 Temp.Range: -40℃~+105℃  
 Strip length: 6~7mm  
 Torque: 0.5Nm(4.5Lb.in)

Order Information

RHTBY29R -5.08-XXP-4 S 00

Terminal Block  
 Pitch  
 No: of Pole  
 Color: 4-Green  
 Screw:S-Slot Screw  
 Product Code: 00~99



UNITS:mm	SHEET SIZE: A4			SCALE:---	DRWN BY PAN
0~3	3~18	18~50	50~120	CHK'D BY FENG	
±0.12	±0.15	±0.3	±0.5	APPR BY ZHAN	

Screw Conn Term Block 5.08mm	
THIRD ANGLE PROJECTION	RHYBY29R-5.08-XXP-4S



NINGBO RHT ELECTRONIC CO.,LTD



RHYBY29R-5.08-XXP-4S