

PCB LAYOUT

Material
 Screw: M4.0, steel, Zn plated
 Cage: Brass, Nickel plated
 Pin header: Brass, Tin plated
 Housing: PA66, UL94V-0

Electrical
 Rated voltage: 600V
 Rated current: 60A
 Wire Range: 20~6AWG 10mm²
 Contact Resistance: 20mΩ
 Insulation resistance: 500MΩ/DC1000V
 Withstand voltage: AC2500V/1min

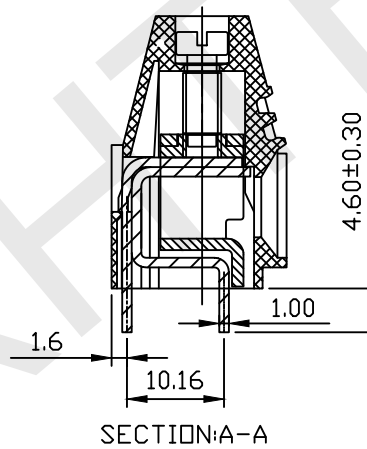
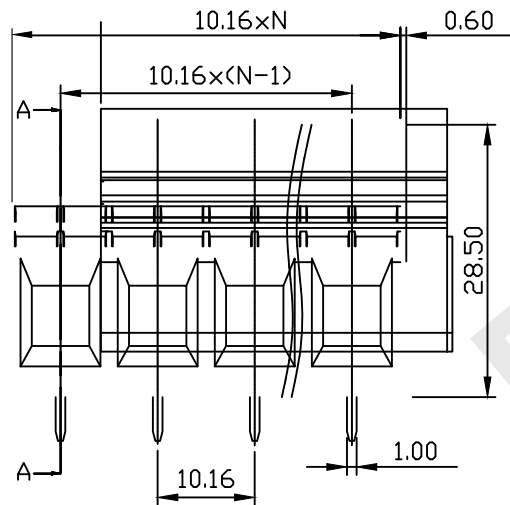
Mechanical
 Temp. Range: -40°C~+105°C
 Soldering: 250°C 5Sec. Max
 Torque: 1.2Nm (10.5Lb.) in
 Strip length: 9~10mm

Order Information

RHTBY49 - 10.16 - XXP - 4 S XX

Terminal Block
 Pitch
 No. of Pole

Product Code: 00~99
 Screw: S-Slot Screw
 Color: 1-Gray
 3-Black
 4-Green



SECTION A-A

UNITS:mm	SHEET SIZE: A4			SCALE:---	DRWN BY PAN
0~3	3~18	18~50	50~120	CHK'D BY FENG	
±0.12	±0.15	±0.3	±0.5	APPR BY ZHAN	

Screw Conn Term Block 10.16mm	
THIRD ANGLE PROJECTION	RHYBY49-10.16-XXP-4S



NINGBO RHT ELECTRONIC CO.,LTD