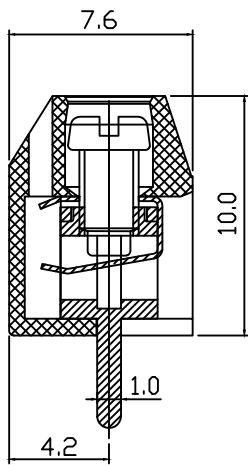
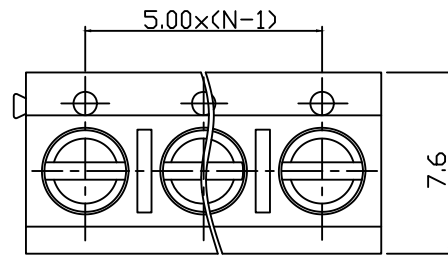
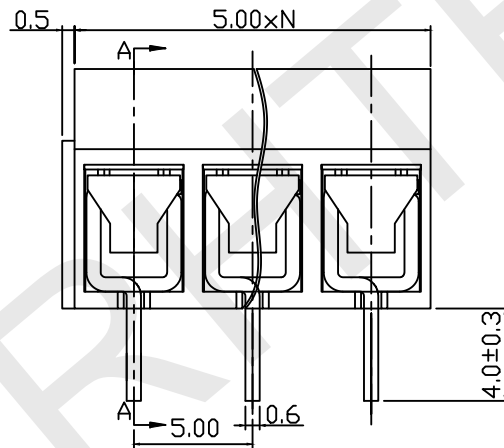


PCB LAYOUT



SECTION A-A



Material

Screw: M2.5, Steel,Zn plated
 Shrapnel: Phosphor bronze,Nickel plated
 Pin header: Brass , Tin plated
 Housing: PA66.or PBT UL94V-0

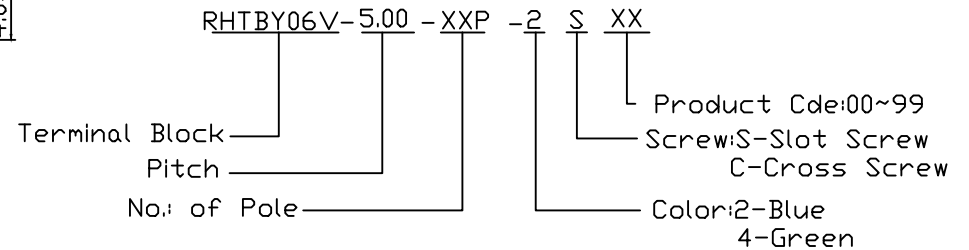
Electrical

Rated voltage:250V
 Rated current: 16A
 Wire range:22~14AWG 2.5mm²
 Contact Resistance:20 mΩ
 Insulation resistance: 500MΩ/DC500V
 Withstand voltage: AC2000V/1min

Mechanical

Temp.Range: -40℃~+105℃
 Soldering: 250℃±5Sec.Max
 Torque: 0.4 N.m (3.54Lb. in)
 Strip length: 4.5~5mm

Order Information



RHTECP NINGBO RHT ELECTRONIC CO.,LTD

UNITS:mm	SHEET SIZE: A4			SCALE:---	DRWN BY PAN
0~3	3~18	18~50	50~120	CHK'D BY FENG	
±0.12	±0.15	±0.3	±0.5	APPR BY ZHAN	

Screw Conn Term Block 5.00mm

THIRD ANGLE PROJECTION

RHTAY06V-5.00-XXP-2S