

SECTION A-A

Material

Screw: M2.5, Steel,Zn plated  
 Shrapnel Stainless steel,Nickel plated  
 Pin header: Brass or Steel, Tin plated  
 Housing: PA66. UL94V-0

Electrical

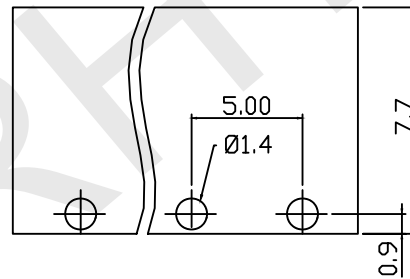
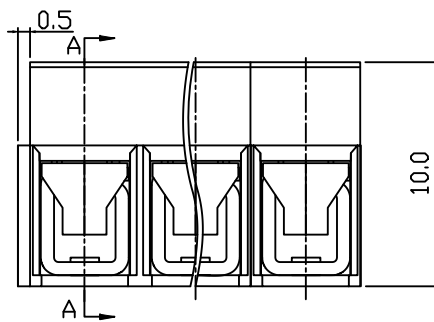
Rated voltage:300V  
 Rated current: 8A  
 Wire range:26~14AWG 2.5mm<sup>2</sup>  
 Contact Resistance:20 mΩ  
 Insulation resistance: 500MΩ/DC500V  
 Withstand voltage: AC2000V/1min

Mechanical

Temp.Range: -40℃~+105℃  
 Soldering: 250℃±5℃ for 5S  
 Torque: 0.4 N.m (3.54Lb. in)  
 Strip length: 6~7mm

Order Information

RHTBY26R-5.00-XXP-4 S XX  
 Terminal Block  
 Pitch  
 No. of Pole  
 Product Cde:00~99  
 Screw:S-Slot Screw  
 C-Cross Screw  
 Color:4-Green



PCB LAYOUT

**RHTECP** NINGBO RHT ELECTRONIC CO.,LTD

UNITS:mm	SHEET SIZE: A4			SCALE:---	DRWN BY PAN
0~3	3~18	18~50	50~120	CHK'D BY FENG	
±0.12	±0.15	±0.3	±0.5	APPR BY ZHAN	

Screw Conn Term Block 5.00mm  
 THIRD ANGLE PROJECTION  
 RHTAY26R-5.00-XXP-4S