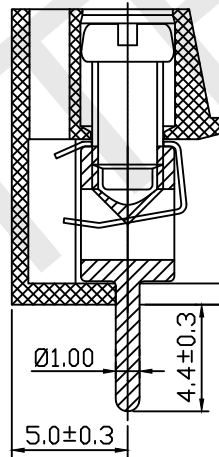
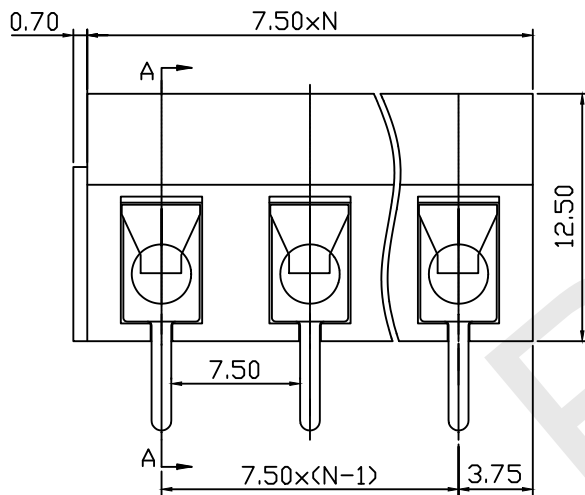


PCB LAYOUT



Material

Housing: PBT, UL94V-0
 Cage: Brass, Tin plated
 Ciamp: Phosphor bronzeNiplated
 Screw: M3.0,steel Zinc plated

Electrical

Rated voltage: 250V
 Rated current: 16A
 Contact Resistance: 20Ω
 Insulation resistance: 500MΩ/DC500V
 Withstand voltage: AC2000V/1min
 Wire Range: 22~14AWG 2.5mm

Mechanica:

Temp.Range: -40℃+105℃
 Strip length: 4.5~5mm
 Torque: 0.5Nm(4.5Lb.in)

Order Information

RHTBY05V-7.50-XXP-2 S 00

Terminal Block
 Pitch
 No.: of Pole
 Color: 2-Blue
 Screw: S-Slot Screw
 Product Code: 00~99

RHTECP NINGBO RHT ELECTRONIC CO.,LTD

UNITS:mm	SHEET SIZE: A4			SCALE:---
0~3	3~18	18~50	50~120	
±0.12	±0.15	±0.3	±0.5	

DRWN BY PAN
 CHK'D BY FENG
 APPR BY ZHAN

Screw Conn Term Block 7.50mm
 THIRD ANGLE PROJECTION
 RHTBY05V-7.50-XXP-2S