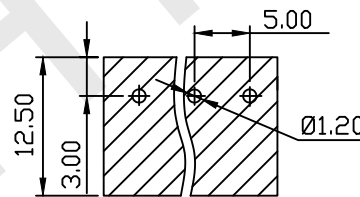
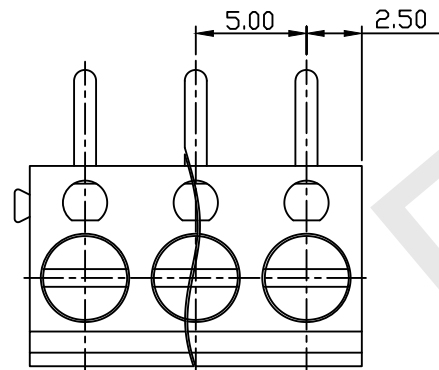


SECTION A-A



PCB LAYOUT

Material

Screw: M3.0, Steel,Zn plated
 Cage: Phosphor Bronze ,Nickel plated
 Pin header: Brass , Tin plated
 Housing: PA66,Blue UL94V-0,

Electrical

Rated voltage:250V
 Rated current: 16A
 Wire range:22~14AWG 1.5mm
 Contact Resistance: 20 mΩ
 Insulation resistance: 500MΩ/DC500V
 Withstand voltage: AC2000V/1min

Mechanical

Temp.Range: -30℃~+105℃
 Soldering: 250℃ 5Sec. Max
 Torque: 0.5 N.m (4.43Lb. in)
 Strip length: 4.5~5mm

Order Information

RHTBY00R - 5.00 - XXP - 2 S XX

Terminal Block

Pitch

No. of Pole

Color:2-Blue 4-Green

Screw: S-Slot Screw C-CrossScrew

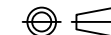
Code:Product Code: 00~99

RHTECP NINGBO RHT ELECTRONIC CO.,LTD

UNITS:mm	SHEET SIZE: A4			SCALE:---	DRWN BY PAN
0~3	3~18	18~50	50~120	CHK'D BY FENG	
±0.12	±0.15	±0.3	±0.5	APPR BY ZHAN	

Screw Conn Term Block 5.00mm

THIRD ANGLE PROJECTION



RHTBY00R-5.00-XXP-2S