

Material

Screw: M2.5, Steel,Zn plated
 Shrapnel: Phosphor bronze ,Nickel plated
 Pin header: Brass , Tin plated
 Housing: PA66 or PBT, UL94V-0

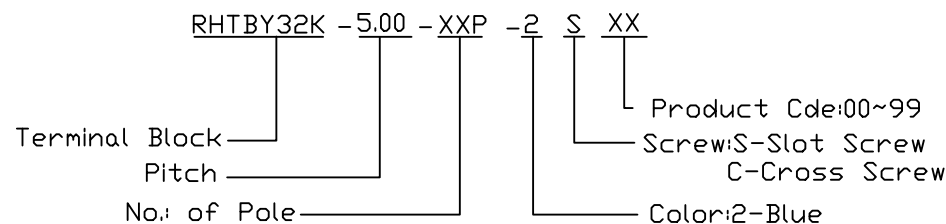
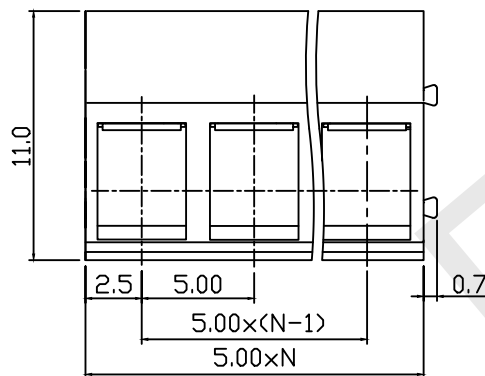
Electrical

Rated voltage:300V
 Rated current: 10A
 Wire range:28~16AWG 1.5mm²
 Contact Resistance: 20 mΩ
 Insulation resistance: 500MΩ/DC500V
 Withstand voltage: AC2000V/1min

Mechanical

Temp.Range: -40℃~+105℃
 Soldering: 250℃ 5Sec. Max
 Torque: 0.4 N.m (3.5Lb. in)
 Strip length: 4.5~5mm

Order Information



NINGBO RHT ELECTRONIC CO.,LTD

UNITS:mm	SHEET SIZE: A4			SCALE:---	DRWN BY PAN
0~3	3~18	18~50	50~120	CHK'D BY FENG	THIRD ANGLE PROJECTION
±0.12	±0.15	±0.3	±0.5	APPR BY ZHAN	

Screw Conn Term Block 5.00mm

RHTBY32K-5.00-XXP-2S