

Material

Housing: PA66, UL94V-0

Clamp: Phosphor Bronze ,Tin plated

Wire guard: Stainless steel

Electrical

Rated voltage:300V

Rated current: 8A

Contact Resistance: 20 mΩ

Insulation resistance: 500MΩ/DC500V

Withstand voltage: AC2000V/1min

Wire range:28~16AWG 1.5mm²

Mechanical

Temp.Range: -40℃~+105℃

Strip length: 7~8mm

Torque: 0.4 N.m (3.6bin)

Order Information

RHTBYDGKD-3.50-XXP-4 00

Terminal Block

Pitch

No: of Pole

Color: 4-Green

Code:Product Code: 00~99

RHTECP NINGBO RHT ELECTRONIC CO.,LTD

UNITS:mm

SHEET SIZE: A4

SCALE:---

DRWN BY PAN

Pluggable Terminal Block 3.50mm

0~3

3~18

18~50

50~120

CHK'D BY FENG

THIRD ANGLE PROJECTION

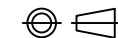
±0.12

±0.15

±0.3

±0.5

APPR BY ZHAN



RHTBYDGKD-3.50-XXP-4

1

2

3

4

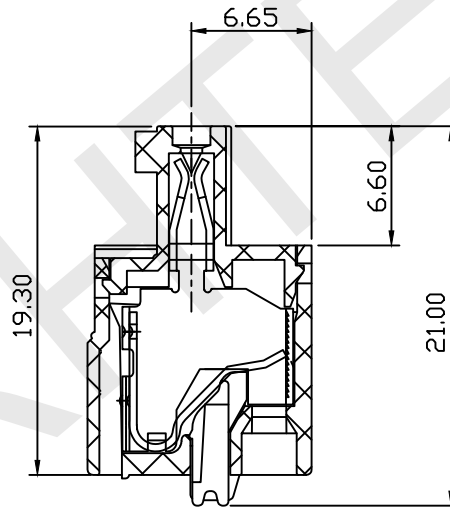
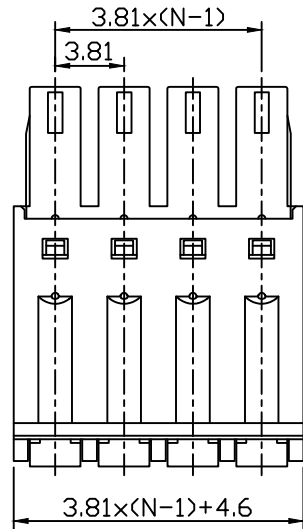
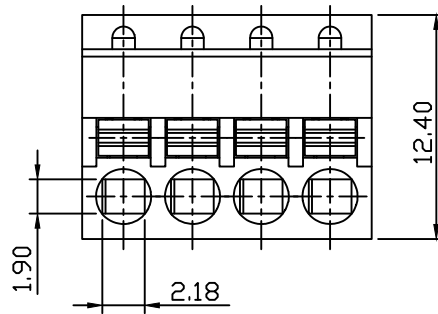
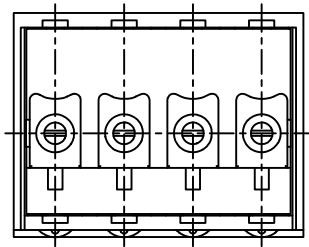
5

6

7

8

9



Material

Housing: PA66, UL94V-0

Clamp: Phosphor Bronze ,Tin plated

Wire guard: Stainless steel

Electrical

Rated voltage:300V

Rated current: 8A

Contact Resistance: 20 mΩ

Insulation resistance: 500MΩ/DC500V

Withstand voltage: AC2000V/1min

Wire range:28~16AWG 1.5mm²

Mechanical

Temp.Range: -40℃~+105℃

Strip length: 7~8mm

Torque: 0.4 N.m (3.6bin)

Order Information

RHTBYDGKD-3.81-XXP-4 00

Terminal Block

Pitch

No: of Pole

Color: 4-Green

Code:Product Code: 00~99

RHTECP NINGBO RHT ELECTRONIC CO.,LTD

UNITS:mm	SHEET SIZE: A4			SCALE:---	DRWN BY PAN
0~3	3~18	18~50	50~120	CHK'D BY FENG	
±0.12	±0.15	±0.3	±0.5	APPR BY ZHAN	

Pluggable Terminal Block 3.81mm

THIRD ANGLE PROJECTION



RHTBYDGKD-3.81-XXP-4