

Material
 Housing:PA66, UL94 V-0
 Pin header:Brass,Ni Plated
 Nut:M2.5 Brass

Electrical
 Rated voltage:300V
 Rated current:8A
 Contact Resistance:20 mΩ
 Insulation resistance: 500MΩ/DC500V
 Withstand voltage:AC2000V/1min

Mechanical
 Temp.Range:-40°C+105°C

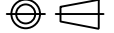
Order Information

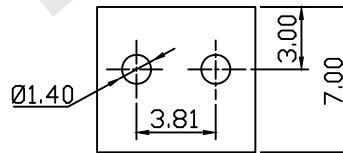
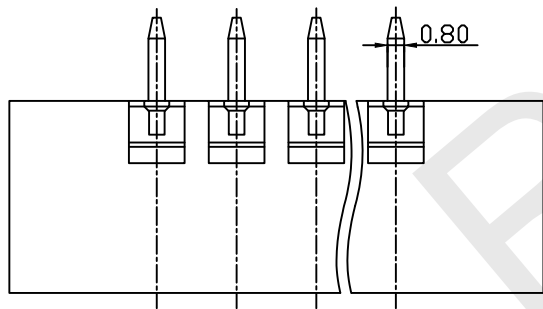
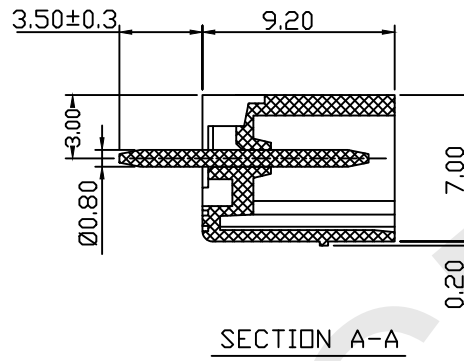
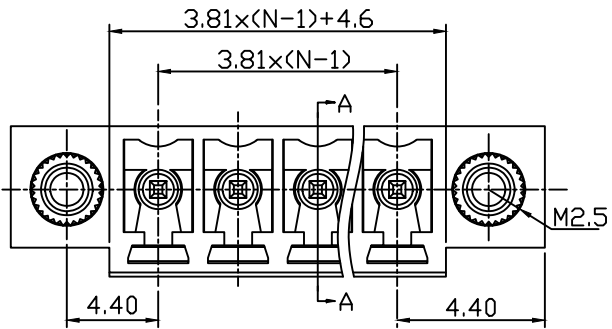
RHTBYDLV-3.50-XXP-4 S 00

Terminal Block
 Pitch
 No.of Pole
 Color:4-Green
 Screw:S-Slot Screw C-Cross Screw
 Product: 00~99

RHTECP NINGBO RHT ELECTRONIC CO.,LTD

| | | | | | |
|----------|----------------|-------|--------|---------------|-------------|
| UNITS:mm | SHEET SIZE: A4 | | | SCALE:--- | DRWN BY PAN |
| 0~3 | 3~18 | 18~50 | 50~120 | CHK'D BY FENG | |
| ±0.12 | ±0.15 | ±0.3 | ±0.5 | APPR BY ZHAN | |

Pluggable Terminal Block 3.5MM
 THIRD ANGLE PROJECTION

 RHTBYDLV-3.50-XXP-4S-00



Material
Housing:PA66, UL94 V-0
Pin header:Brass,Ni Plated
Nut:M2.5 Brass

Electrical
Rated voltage:300V
Rated current:8A
Contact Resistance:20 mΩ
Insulation resistance: 500MΩ/DC500V
Withstand voltage:AC2000V/1min

Mechanical
Temp.Range:-40℃+105℃

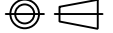
Order Information

RHTBYDLV-3.81-XXP-4 S 00

Terminal Block
Pitch
No.of Pole
Color:4-Green
Screw:S-Slot Screw C-Cross Screw
Product: 00~99

RHTECP NINGBO RHT ELECTRONIC CO.,LTD

| | | | | | |
|----------|----------------|-------|--------|---------------|-------------|
| UNITS:mm | SHEET SIZE: A4 | | | SCALE:--- | DRWN BY PAN |
| 0~3 | 3~18 | 18~50 | 50~120 | CHK'D BY FENG | |
| ±0.12 | ±0.15 | ±0.3 | ±0.5 | APPR BY ZHAN | |

Pluggable Terminal Block 3.81MM
THIRD ANGLE PROJECTION
 RHTBYDLV-3.81-XXP-4S-00