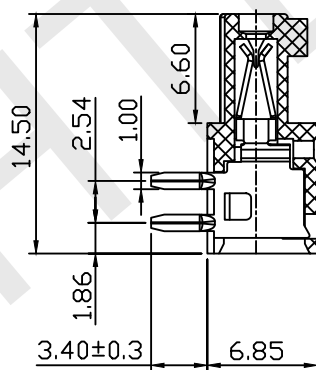
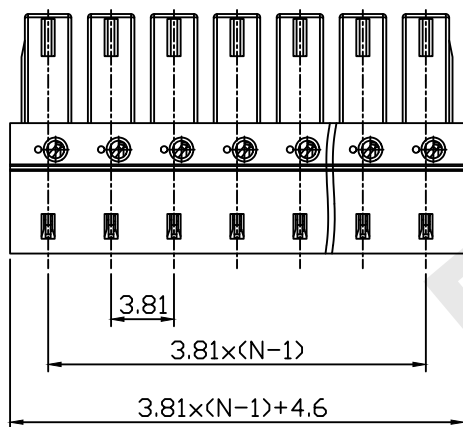


PCB LAYOUT



Material

Housing:PA66, UL94 V-0

Phosphor Bronze,Tin plated

Electrical

Rated voltage:300V

Rated current:8A

Contact Resistance:20 mΩ

Insulation resistance: 500MΩ/DC500V

Withstand voltage:AC1250V/1min

Mechanical

Temp.Range:-40℃+105℃

Order Information

RHTBYDKR-3.81-XXP-4 00

Terminal Block

Pitch

No. of Pole

Color:4-Green

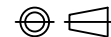
Product Code: 00~99

**RHTECP** NINGBO RHT ELECTRONIC CO.,LTD

UNITS:mm	SHEET SIZE: A4			SCALE:---	DRWN BY PAN
0~3	3~18	18~50	50~120	CHK'D BY FENG	
±0.12	±0.15	±0.3	±0.5	APPR BY ZHAN	

Pluggable Terminal Block 3.81MM

THIRD ANGLE PROJECTION



RHTBYDRK-3.81-XXP-4-00