

SECTION A-A

Material

Housing:PA66, UL94V-0

Clamp:Phosphor bronze, Ni plated

Screws:M2, Zinc plated

Wire guard:Brass,Ni plated

Electrical

Rated voltage:300V

Rated current:8A

Contact Resistance:20mΩ

Insulation resistance:500MΩ/DC500V

Withstand voltage:AC2000V/1min

Wire Range:28~16AWG1.5mm<sup>2</sup>

Mechanical

Temp. Range:-40℃+105℃

Strip length:6~7mm

Torque:0.2Nm(1.7bin)

Order Information

RHTBYDCKM-3.50-XXP-4 S 00

Terminal Block

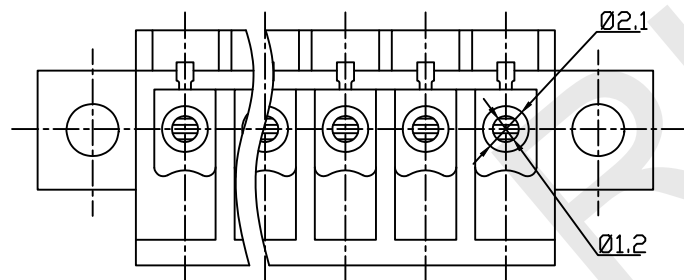
Pitch

No. of Pole

Color:4-Green

Screw:S-Slot Screw C-Cross Screw

Product Code : 00~99

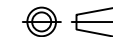


**RHTECP** NINGBO RHT ELECTRONIC CO.,LTD

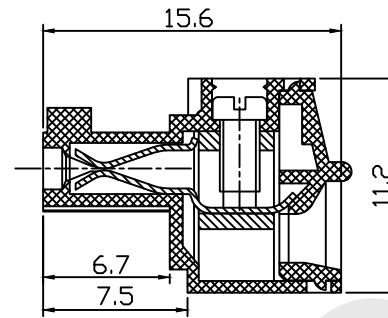
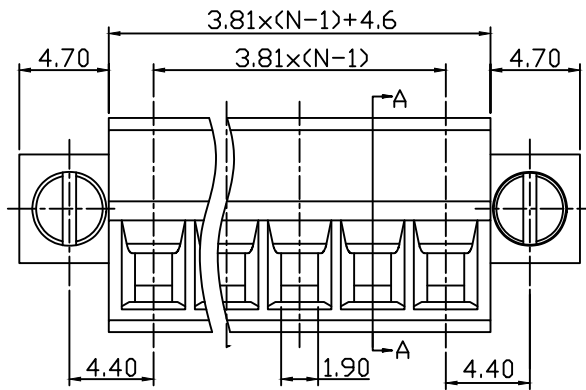
UNITS:mm	SHEET SIZE: A4			SCALE:---	DRWN BY PAN
0~3	3~18	18~50	50~120	CHK'D BY FENG	
±0.12	±0.15	±0.3	±0.5	APPR BY ZHAN	

Plug-in TERM BLOCK 3.50MM

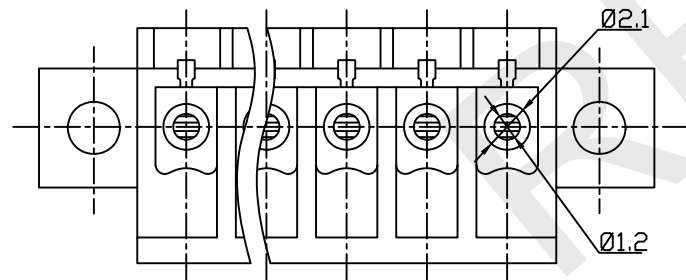
THIRD ANGLE PROJECTION



RHTBYDCKM-3.50-XXP-4S-00



SECTION A-A



Material

Housing:PA66, UL94V-0

Clamp:Phosphor bronze, Ni plated

Screws:M2, Zinc plated

Wire guard:Brass,Ni plated

Electrical

Rated voltage:300V

Rated current:8A

Contact Resistance:20mΩ

Insulation resistance:500MΩ/DC500V

Withstand voltage:AC2000V/1min

Wire Range:28~16AWG1.5mm<sup>2</sup>

Mechanical

Temp. Range:-40℃+105℃

Strip length:6~7mm

Torque:0.2Nm(1.7bin)

Order Information

RHTBYDCKM-3.81-XXP-4 S 00

Terminal Block

Pitch

No. of Pole

Color:4-Green

Screw:S-Slot Screw C-Cross Screw

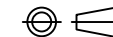
Product Code : 00~99

**RHTECP** NINGBO RHT ELECTRONIC CO.,LTD

UNITS:mm	SHEET SIZE: A4			SCALE:---	DRWN BY PAN
0~3	3~18	18~50	50~120	CHK'D BY FENG	
±0.12	±0.15	±0.3	±0.5	APPR BY ZHAN	

Plug-in TERM BLOCK 3.81MM

THIRD ANGLE PROJECTION



RHTBYDCKM-3.81-XXP-4S-00