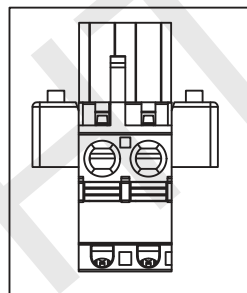
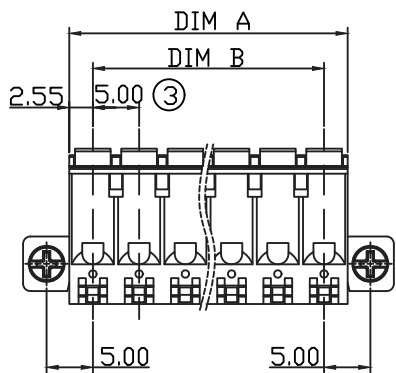
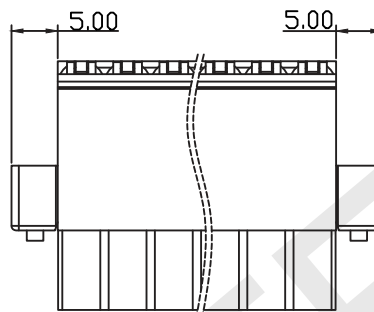


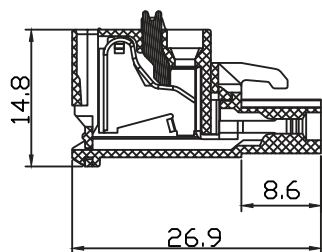
Dimension

DIM A	$N \times 5.0 + 0.10$
DIM B	$(N-1) \times 5.0$

N=Number of poles



2P



SECTION A-A

Electrical :

Rated voltage: 300V

Rated current: 15A

Contact resistance: 20mΩ

Insulation resistance: 5000MΩ/1000V

Withstanding Voltage: AC1500V/1Min

Material

Housing: Pa66, UL94V-0

Screws: M2.5, steel, Zinc plated

Contact : Phosphor Bronze

Mechanical

Temp. Range: -40 ~ +105

MAX Soldering: +250 for 5 Sec

Wire range: 28-12AWG 2.5mm<sup>2</sup>

Torque: 0.4Nm (3.6Lb. in)

Strip length: 7-8 mm

Product NO.: RHTBYDKDM-5.00- XXP X X  
 \_\_\_\_\_ Customer Request

Series No. \_\_\_\_\_

Pitch: 5 00=5.00mm 5 08=5.08mm  
 7 62=7.62mm

Number of Pole \_\_\_\_\_

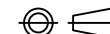
Color: 1=Gray 2=Blue 3=Black  
 4=Green 5=Orange 6=Red  
 7=Transparent 8=Yellow 9=White

NINGBO RHT ELECTRONIC CO.,LTD

UNITS:mm	SHEET SIZE: A4			SCALE:---	DRWN BY PAN
0~3	3~18	18~50	50~120	CHK'D BY FENG	
±0.12	±0.15	±0.3	±0.5	APPR BY ZHAN	

Pluggable Series rhtbyDKDM-5.00/5.08  
 Series Pitch=5.00mm/5.08

THIRD ANGLE PROJECTION



RHTBYDKDM-5.00-XXP