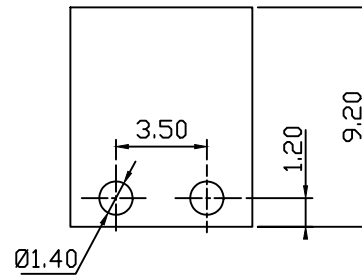
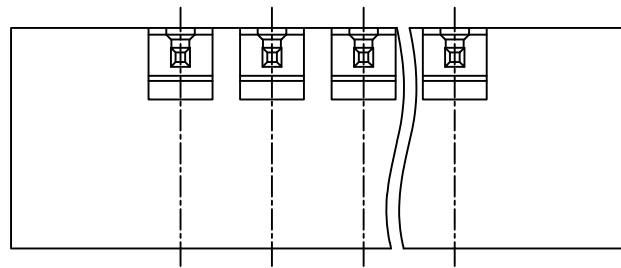


Material  
 Nut:M2.5,Brass  
 Housing:PA66, UL94V-0  
 Pin header:Brass, Tin plated

Electrical  
 Rated voltage:300V  
 Rated current:8A  
 Contact Resis tance:20mΩ  
 Insulation resistance:500Ma/DC500V  
 Withstand voltage:AC2000V/1min

Mechanical  
 Temp.Range-40℃~+105℃

Order Information



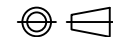
RHTBYDLR-3.50-XXP-4S-00  
 Terminal Block  
 Pitch  
 No.of Pole  
 Color:4-Green  
 Screw:S-Slot Screw C-Cross Screw  
 Product Code: 00~99

**RHTECP** NINGBO RHT ELECTRONIC CO.,LTD

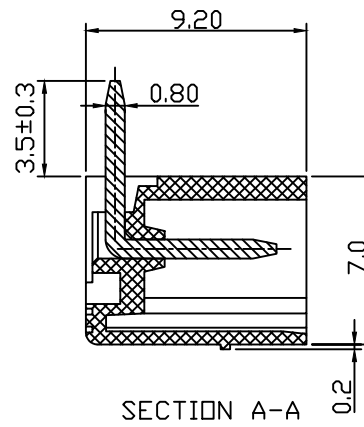
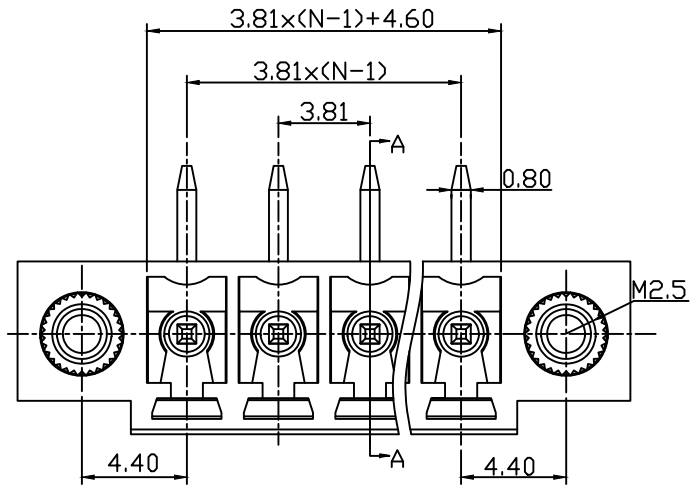
UNITS:mm	SHEET SIZE: A4			SCALE:---	DRWN BY PAN
0~3	3~18	18~50	50~120	CHK'D BY FENG	
±0.12	±0.15	±0.3	±0.5	APPR BY ZHAN	

Pluggable Terminal Block 3.50MM

THIRD ANGLE PROJECTION



RHTBYDLR-3.50-XXP-4S-00

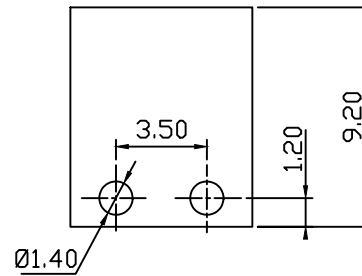
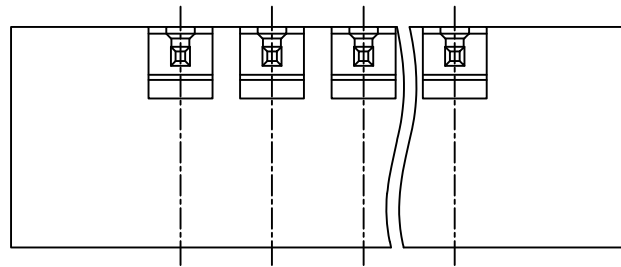


Material  
 Nut:M2.5,Brass  
 Housing:PA66, UL94V-0  
 Pin header:Brass, Tin plated

Electrical  
 Rated voltage:300V  
 Rated current:8A  
 Contact Resis tance:20mΩ  
 Insulation resistance:500Ma/DC500V  
 Withstand voltage:AC2000V/1min

Mechanical  
 Temp.Range-40℃~+105℃

Order Information



RHTBYDLR-3.81-XXP-4S-00  
 Terminal Block  
 Pitch  
 No.of Pole  
 Color:4-Green  
 Screw:S-Slot Screw C-Cross Screw  
 Product Code: 00~99

**RHTECP** NINGBO RHT ELECTRONIC CO.,LTD

UNITS:mm	SHEET SIZE: A4			SCALE:---	DRWN BY PAN
0~3	3~18	18~50	50~120	CHK'D BY FENG	
±0.12	±0.15	±0.3	±0.5	APPR BY ZHAN	

Pluggable Terminal Block 3.81MM  
 THIRD ANGLE PROJECTION  
 RHTBYDLR-3.81-XXP-4S-00