

Material
 Housing:PA66, UL94V-0
 Cage:Brass,Ni plated
 Screws:M3.0, Steel,Zn plated
 Fixing screws:M2.5 Steel Zn plated
 Clamps:Phosphor bronze, Ni plated

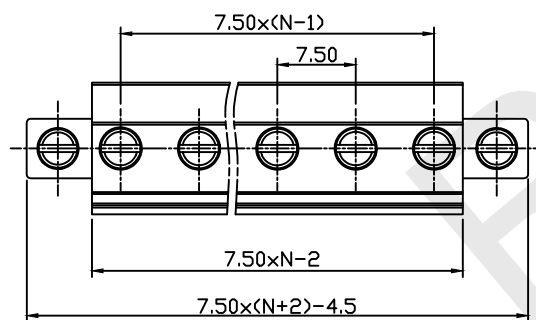
Electrical
 Rated voltage:300V
 Rated current:15A
 Contact Resistance:20 mΩ
 Insulation resistance:500MΩ/DC500V
 Withstand voltage:AC2000V/1min
 Wire Range:28~14AWG 15mm²

Mechanical
 Temp.Range:-40℃~+105℃
 Strip length:7.8mm
 Torque:0.5Nm(4.5Lbin)

Order Information

RHTBYDKAM-7.50-XXP-4 S 00

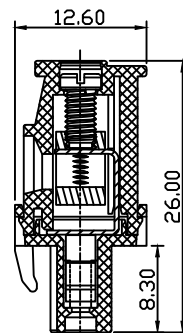
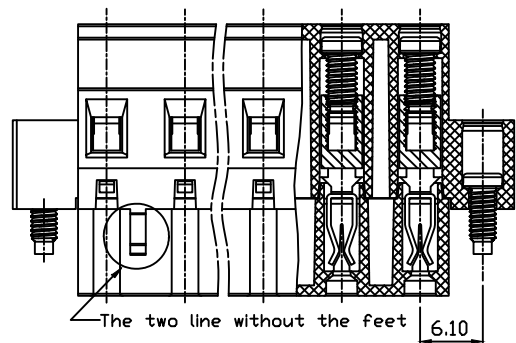
Terminal Block
 Pitch
 No. of Pole
 Color:4-Green
 Screw:S-Slot Screw C-Cross Screw
 Product Code: 00~99



RHTECP NINGBO RHT ELECTRONIC CO.,LTD

UNITS:mm	SHEET SIZE: A4			SCALE:---	DRWN BY PAN
0~3	3~18	18~50	50~120	CHK'D BY FENG	
±0.12	±0.15	±0.3	±0.5	APPR BY ZHAN	

Pluggable Terminal Block 7.50MM
 THIRD ANGLE PROJECTION
 RHTBYDKAM-7.50-XXP-4S-00



Material
 Housing:PA66, UL94V-0
 Cage:Brass,Ni plated
 Screws:M3.0, Steel,Zn plated
 Fixing screws:M2.5 Steel Zn plated
 Clamps:Phosphor bronze, Ni plated

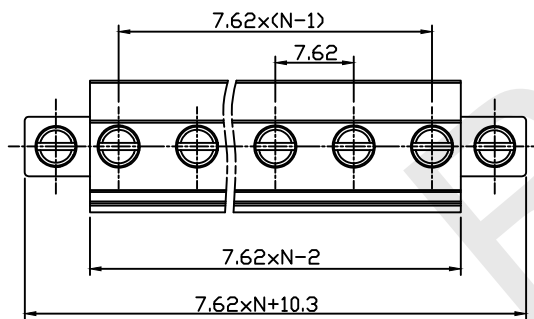
Electrical
 Rated voltage:300V
 Rated current:15A
 Contact Resistance:20 mΩ
 Insulation resistance:500MΩ/DC500V
 Withstand voltage.AC2000V/1min
 Wire Range:28~14AWG 15mm²

Mechanical
 Temp.Range:-40℃~+105℃
 Strip length:7.8mm
 Torque:0.5Nm(4.5Lbin)

Order Information

RHTBYDKAM-7.62-XXP-4 S 00

Terminal Block
 Pitch
 No. of Pole
 Color:4-Green
 Screw:S-Slot Screw C-Cross Screw
 Product Code: 00~99



RHTECP NINGBO RHT ELECTRONIC CO.,LTD

UNITS:mm	SHEET SIZE: A4			SCALE:---	DRWN BY PAN
0~3	3~18	18~50	50~120	CHK'D BY FENG	
±0.12	±0.15	±0.3	±0.5	APPR BY ZHAN	

Pluggable Terminal Block 7.62MM
 THIRD ANGLE PROJECTION
 RHTBYDKAM-7.62-XXP-4S-00