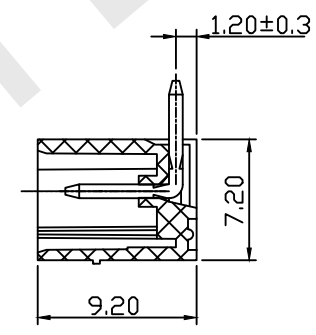
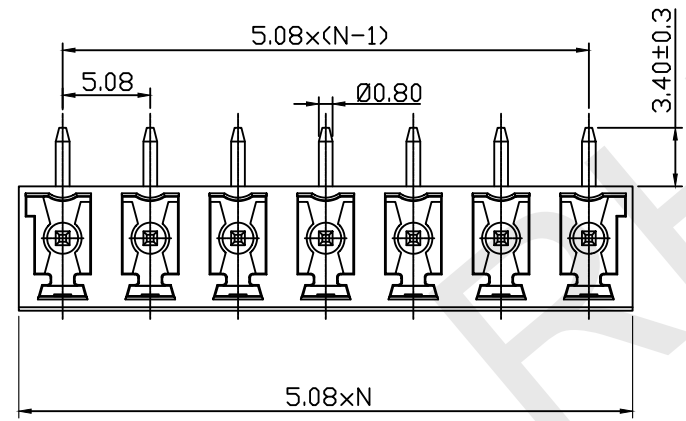


PCB LAYOUT



Material
 Housing:PA66, UL94 V-0
 Pin header:Brass, Tin plated

Electrical
 Rated voltage:300V
 Rated current:8A
 Contact Resistance:20mΩ
 Insulation resistance:500MΩ/DC500V
 Withstand voltage:AC2000V/1min

Mechanical
 Temp.Range:-40℃~105℃

Order Information

RHTBYDKFE-5.08-XXP-4 00
 Terminal Block
 Pitch
 No: of Pole
 Color: 4-Green
 Code:Product Code: 00~99



NINGBO RHT ELECTRONIC CO.,LTD

UNITS:mm	SHEET SIZE: A4			SCALE:---	DRWN BY PAN
0~3	3~18	18~50	50~120	CHK'D BY FENG	
±0.12	±0.15	±0.3	±0.5	APPR BY ZHAN	

Pluggable Terminal Block 5.08 MM
 THIRD ANGLE PROJECTION
 RHTBYDKFR-5.08-XXP-4-00