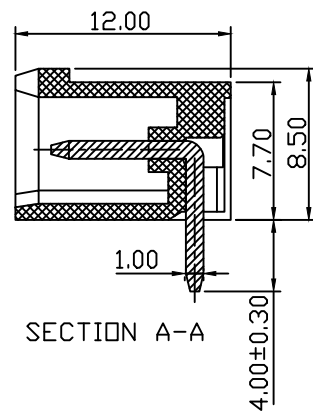


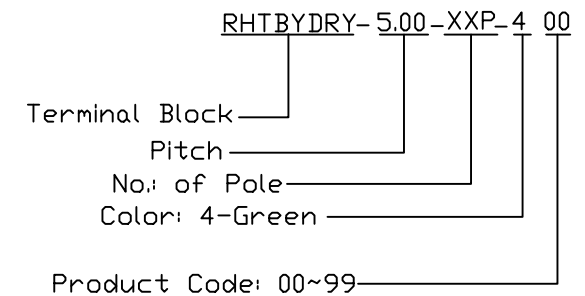
Material
 Housing:PA66, UL94 V-0
 Pin header:Brass, Tin plated
 Nut:M2.5,Brass

Electrical
 Rated voltage:300V
 Rated current:15A
 Contact Resistance:20 mΩ
 Insulation resistance:500MA/DC500V
 Withstand voltage:AC2000V/1min

Mechanical
 Temp.Range-40°C+ 105°C



Order Information



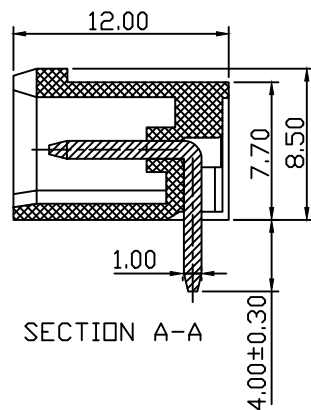
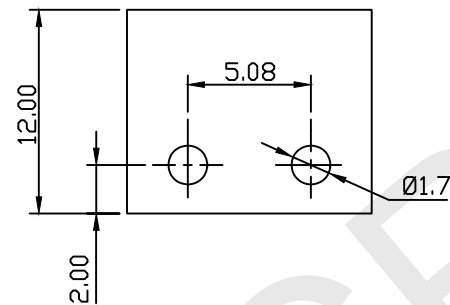
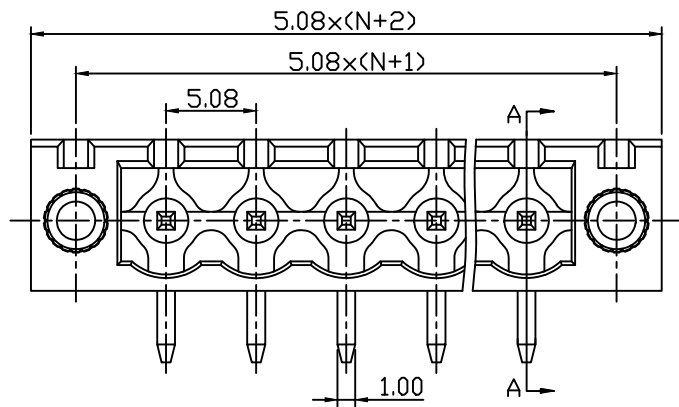
RHTECP NINGBO RHT ELECTRONIC CO.,LTD

UNITS:mm	SHEET SIZE: A4			SCALE:---	DRWN BY PAN
0~3	3~18	18~50	50~120	CHK'D BY FENG	
±0.12	±0.15	±0.3	±0.5	APPR BY ZHAN	

Screw Conn Term Block 5.00mm

THIRD ANGLE PROJECTION

RHTBY01R-5.00-XXP-2S

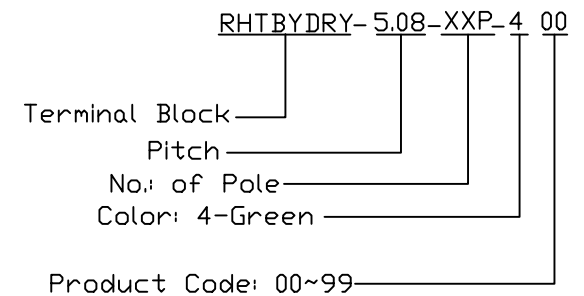


Material
 Housing:PA66, UL94 V-0
 Pin header:Brass, Tin plated
 Nut:M2.5,Brass

Electrical
 Rated voltage:300V
 Rated current:15A
 ContactResistance:20 mΩ
 Insulation resistance:500MA/DC500V
 Withstand voltage:AC2000V/1min

Mechanical
 Temp.Range-40°C+ 105°C

Order Information



RHTECP NINGBO RHT ELECTRONIC CO.,LTD

UNITS:mm	SHEET SIZE: A4			SCALE:---	DRWN BY PAN
0~3	3~18	18~50	50~120	CHK'D BY FENG	
±0.12	±0.15	±0.3	±0.5	APPR BY ZHAN	

Pluggable Terminal Block 5.08MM
 THIRD ANGLE PROJECTION
 RHTBYDRY-5.08-XXP-4-00