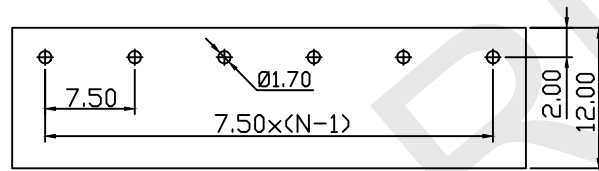


SECTION A-A



PCB LAYOUT

Material

Pin header: Brass, Tin plated
Housing: PA66, UL94V-0

Electrical

Rated voltage: 300V
Rated current: 15A
Contact Resistance: 20 mΩ
Insulation resistance: 500MΩ/D[500V
Withstand voltage: AC2000V/1min

Mechanical

Temp. Range: -40℃~+105℃
Soldering: 250℃5Sec. Max

Order Information

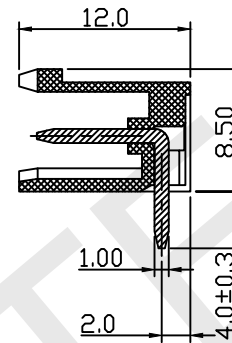
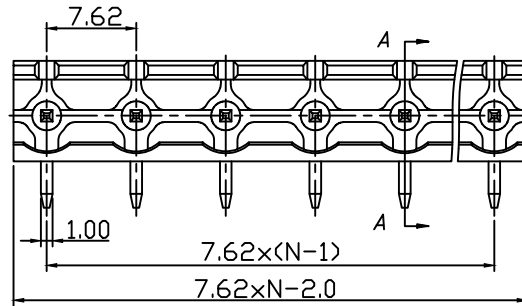
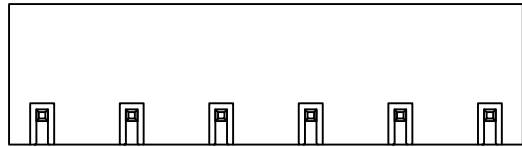
RHTBYDR - 7.50 - XXP - 4 XX

Terminal Block
Pitch
No. of Pole
Color: 4-Green
Product Code: 00~99

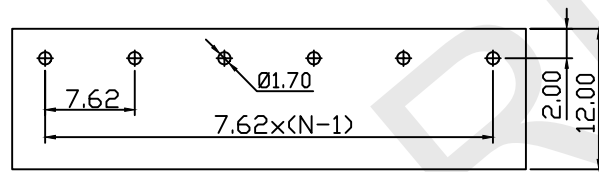
RHTECP NINGBO RHT ELECTRONIC CO.,LTD

UNITS:mm	SHEET SIZE: A4			SCALE:---	DRWN BY PAN
0~3	3~18	18~50	50~120	CHK'D BY FENG	
±0.12	±0.15	±0.3	±0.5	APPR BY ZHAN	

Plug-in TERM BLOCK 7.50MM	
THIRD ANGLE PROJECTION	RHTBYDR-7.50-XXP-4



SECTION A-A



PCB LAYOUT

Material

Pin header: Brass, Tin plated
Housing: PA66, UL94V-0

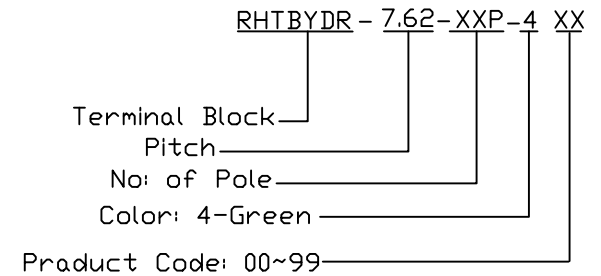
Electrical

Rated voltage: 300V
Rated current: 15A
Contact Resistance: 20 mΩ
Insulation resistance: 500MΩ/D[500V
Withstand voltage: AC2000V/1min

Mechanical

Temp. Range: -40℃~+105℃
Soldering: 250℃5Sec. Max

Order Information



RHTECP NINGBO RHT ELECTRONIC CO.,LTD

UNITS:mm	SHEET SIZE: A4		SCALE: ---		DRWN BY PAN
0~3	3~18	18~50	50~120		CHK'D BY FENG
±0.12	±0.15	±0.3	±0.5		APPR BY ZHAN

Plug-in TERM BLOCK 7.62MM	
THIRD ANGLE PROJECTION	RHTBYDR-7.62-XXP-4