



QUARTZ CRYSTAL RESONATOR

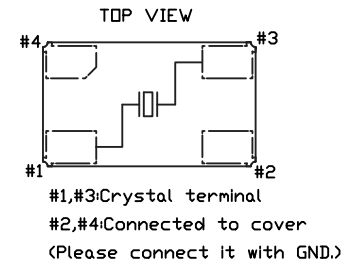
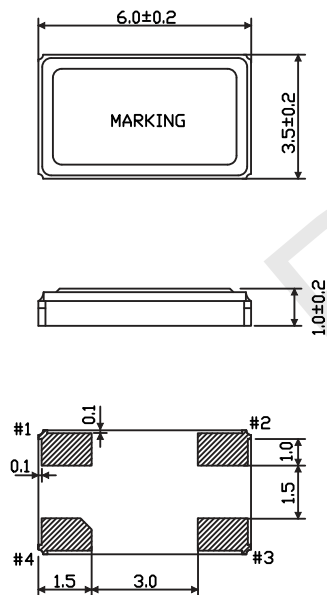
PARAMETERS

RHTNYC-6035

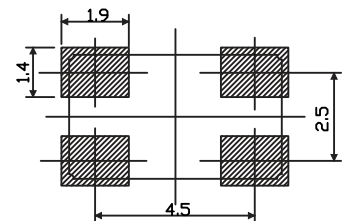
Nominal frequency range: 8.000 50.000MHz  
 Crystal cut Fundamental: [AT-cut]  
 Storage temperature range: -40°C+ 85°C  
 Operating temperature range: -10°C+60°C -30°C~+85°C  
 Frequency temperature characteristics (Ref. to +25 )°C  $\pm 10 \times 10^{-6} \pm 15 \times 10^{-6}$   
 Frequency tolerance (at +25°C):  $\pm 10 \times 10^{-6}$   
 Equivalent series resistance: Please Refer to the Following ESR Table  
 Load capacitance :Series, 10pF 12pF 16pF  
 Shunt capacitance: 5pF max.  
 Level of drive: 10µW (100µW max.)



Outline and Dimensions [unit:mm]



Example of a Terminal Land Pattern



Frequency	ESR(Ω)
Fundamental	
8.000~8.999	80
9.000~9.999	60
10.000~11.999	50
12.000~24.999	40
25.000~50.000	30

ORDER INFORMATION

