



QUARTZ CRYSTAL RESONATOR

PARAMETERS

RHTNYU-206

Nominal frequency range: 32.768 KHZ

Crystal cut: Fundamental [AT-cut]

Storage temperature range: -40°C~+85°C

Operating temperature range: -20°C~+70°C, -40°C~+85°C

Frequency temperature characteristics(Ref. to +25°C):  $\pm 20 \times 10^{-6}$  or specify

Frequency tolerance (at +25°C):  $\pm 10 \times 10^{-6}$ ,  $\pm 20 \times 10^{-6}$ ,  $\pm 30 \times 10^{-6}$ , or specify

Equivalent series resistance: 50K $\Omega$ max.

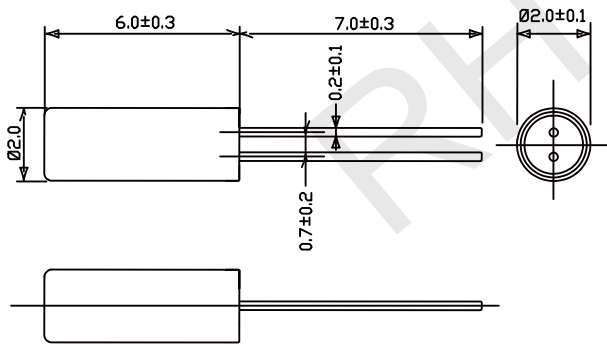
Load capacitance: 12.5pF, or specify

Shunt capacitance: 1.6pF max.

Level of drive: 1.0  $\mu$ W max.



Outline and Dimensions [unit:mm]



ORDER INFORMATION

