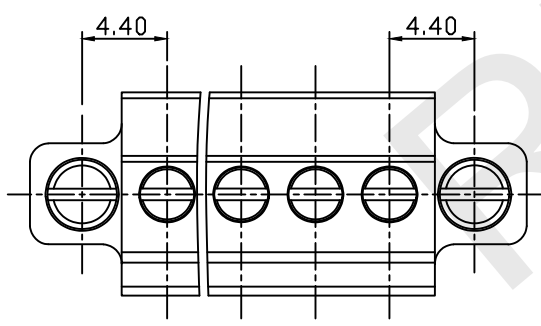


SECTION A-A



Material  
 Housing:PA66. UL94V-0  
 Clamp:Phosphor bronze, Ni Plated  
 Screws:M2 Steel,Zinc plated  
 Wire guard:Brass,Ni plated

Electrical  
 Rated voltage:300V  
 Rated current:8A  
 Contact Resistance:20 mΩ  
 Insulation resistance:500MΩ/DC500V  
 Withstand voltage:AC2000V/1min  
 Wire Range:28~16AWG 1.5mm<sup>2</sup>

Mechanical  
 Temp.Range:-40℃~+ 105℃  
 Strip length:6~7mm  
 Torque:0.2Nm(1.7bin)

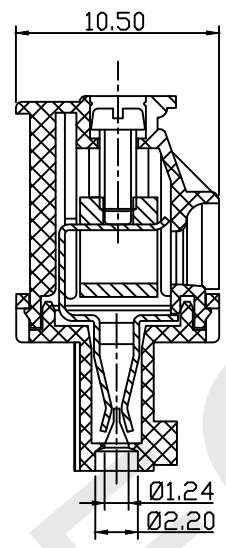
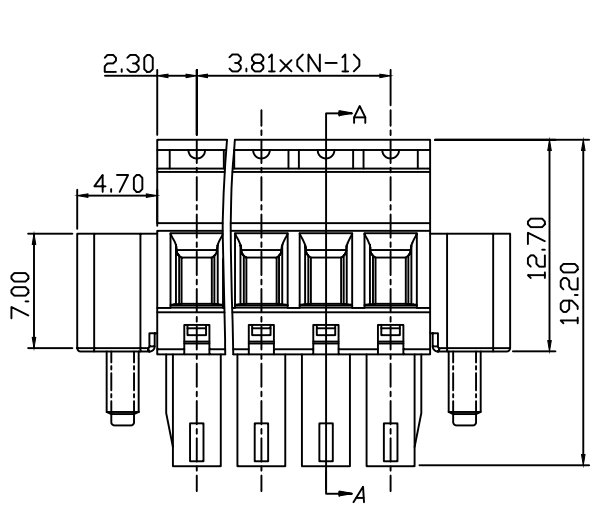
Order Information

RHTBYDCDM- 3.50 -XXP- 4 S 00  
 Terminal Block  
 Pitch  
 No. of Pole  
 Color: 4-Green  
 Screw: S-Slot Screw C-Cross Screw  
 Product Code: 00~99

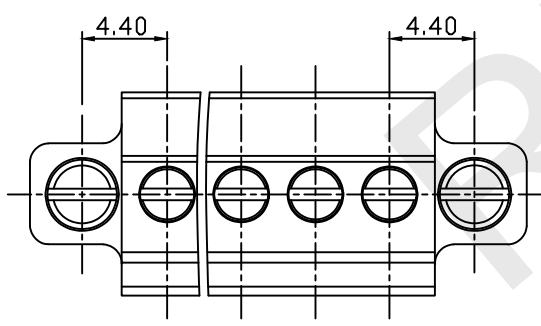
**RHTECP** NINGBO RHT ELECTRONIC CO.,LTD

UNITS:mm	SHEET SIZE: A4			SCALE:---	DRWN BY PAN
0~3	3~18	18~50	50~120	CHK'D BY FENG	
±0.12	±0.15	±0.3	±0.5	APPR BY ZHAN	

Pluggable Terminal Block 3.50MM  
 THIRD ANGLE PROJECTION  
 RHTBYDCDM-3.50-XXP-4S-00



SECTION A-A



Material  
 Housing:PA66. UL94V-0  
 Clamp:Phosphor bronze, Ni Plated  
 Screws:M2 Steel,Zinc plated  
 Wire guard:Brass,Ni plated

Electrical  
 Rated voltage:300V  
 Rated current:8A  
 Contact Resistance:20 mΩ  
 Insulation resistance:500MΩ/DC500V  
 Withstand voltage:AC2000V/1min  
 Wire Range:28~16AWG 1.5mm<sup>2</sup>

Mechanical  
 Temp.Range:-40℃~+ 105℃  
 Strip length:6~7mm  
 Torque:0.2Nm(1.7bin)

Order Information

RHTBYDCDM- 3.81 -XXP- 4 S 00  
 Terminal Block  
 Pitch  
 No. of Pole  
 Color: 4-Green  
 Screw: S-Slot Screw C-Cross Screw  
 Product Code: 00~99

**RHTECP** NINGBO RHT ELECTRONIC CO.,LTD

UNITS:mm	SHEET SIZE: A4			SCALE:---	DRWN BY PAN
0~3	3~18	18~50	50~120	CHK'D BY FENG	
±0.12	±0.15	±0.3	±0.5	APPR BY ZHAN	

Pluggable Terminal Block 3.81MM  
 THIRD ANGLE PROJECTION  
 RHTBYDCDM-3.81-XXP-4S-00