

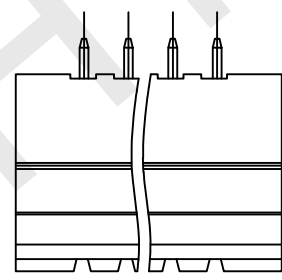
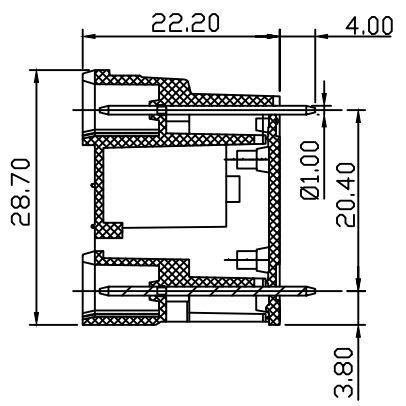
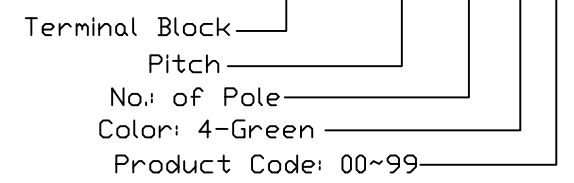
Material
 Housing:PA66, UL94V-0
 Pin header:Brass, Tin plated

Electrical
 Rated voltage:300V
 Rated current:15A
 Contact Resistance:20 mΩ
 Insulation resistance: 500MΩ/DC500V
 Withstand voltage:AC1250V/1min

Mechanical
 Temp. Range:-40℃~+105℃

Order Information

RHTBYDDLV-5.00-XXP-4 00



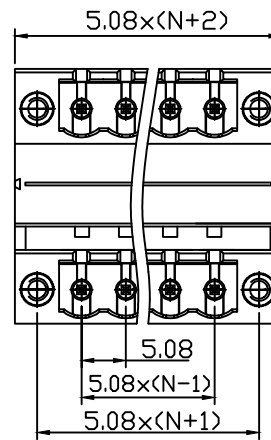
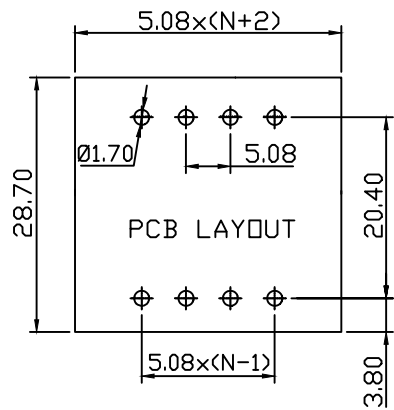
RHTECP NINGBO RHT ELECTRONIC CO.,LTD

UNITS:mm	SHEET SIZE: A4			SCALE:---	DRWN BY PAN
0~3	3~18	18~50	50~120	CHK'D BY FENG	
±0.12	±0.15	±0.3	±0.5	APPR BY ZHAN	

Pluggable Terminal Block 5.00MM

THIRD ANGLE PROJECTION

RHTBYDDLV-5.00-XXP-4S-00



Material

Housing:PA66, UL94V-0

Pin header:Brass, Tin plated

Electrical

Rated voltage:300V

Rated current:15A

Contact Resistance:20 mΩ

Insulation resistance: 500MΩ/DC500V

Withstand voltage:AC1250V/1min

Mechanical

Temp. Range:-40℃~+105℃

Order Information

RHTBYDDLV-5.08-XXP-4 00

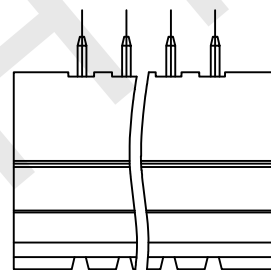
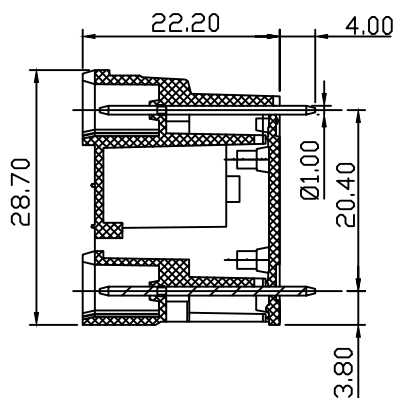
Terminal Block

Pitch

No. of Pole

Color: 4-Green

Product Code: 00~99

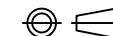


RHTECP NINGBO RHT ELECTRONIC CO.,LTD

UNITS:mm	SHEET SIZE: A4		SCALE:---	DRWN BY PAN
0~3	3~18	18~50	50~120	CHK'D BY FENG
±0.12	±0.15	±0.3	±0.5	APPR BY ZHAN

Pluggable Terminal Block 5.08MM

THIRD ANGLE PROJECTION



RHTBYDDLV-5.08-XXP-4S-00