

Material

Housing:PA66, UL94V-0

Cage:Brass,Ni plated

Screws:M3.0, Steel,Zn plated

Fixing screws:M2.5 Steel Zn plated

Clamp:Phosphor bronze, Ni plated

Electrical

Rated voltage:300V

Rated current:15A

Contact Resistance:20mΩ

Insulation resistance:500MΩ/DC500V

Withstand voltage:AC2000V/1min

Wire Range:28~14AWG 15mm²

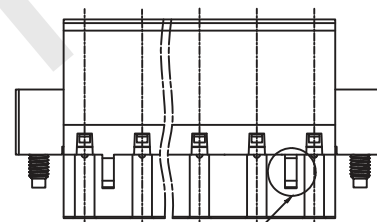
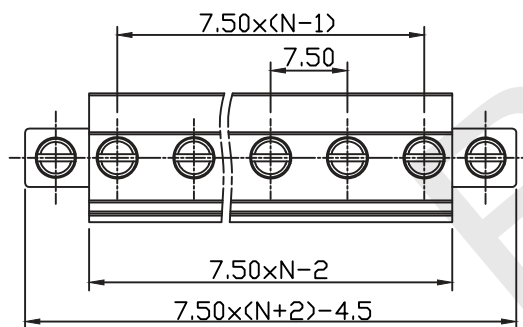
Mechanical

Temp. Range:-40℃~+ 105℃

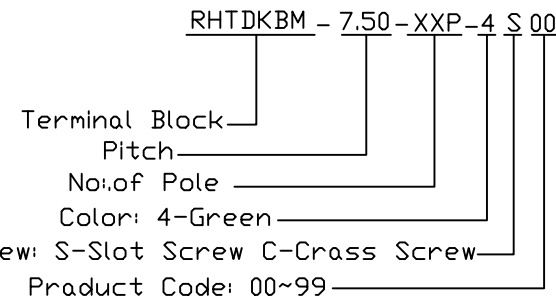
Strip length:7~8mm

Torque:0.5Nm(14.5Lbin)

Order Information



The two line without the feet



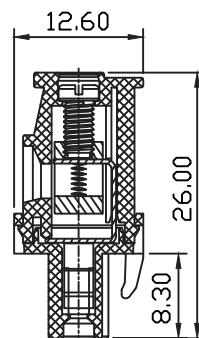
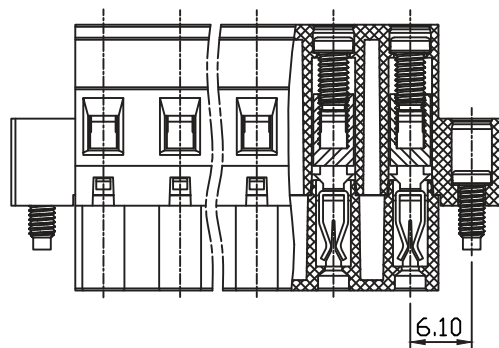
RHTECP NINGBO RHT ELECTRONIC CO.,LTD

UNITS:mm	SHEET SIZE: A4			SCALE:---	DRWN BY PAN
0~3	3~18	18~50	50~120	CHK'D BY FENG	
±0.12	±0.15	±0.3	±0.5	APPR BY ZHAN	

Pluggable Terminal Block 7.50 MM

THIRD ANGLE PROJECTION

RHTDKBM-7.50-XXP-4S-00



Material

Housing:PA66, UL94V-0

Cage:Brass,Ni plated

Screws:M3.0, Steel,Zn plated

Fixing screws:M2.5 Steel Zn plated

Clamp:Phosphor bronze, Ni plated

Electrical

Rated voltage:300V

Rated current:15A

Contact Resistance:20mΩ

Insulation resistance:500MΩ/DC500V

Withstand voltage:AC2000V/1min

Wire Range:28~14AWG 15mm²

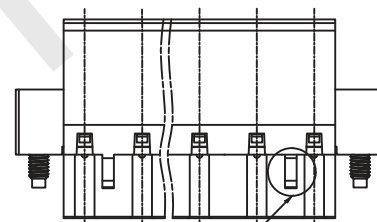
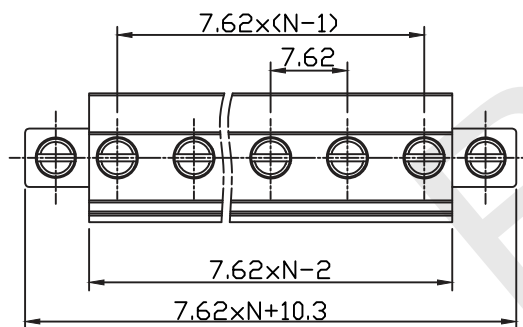
Mechanical

Temp. Range:-40℃~+ 105℃

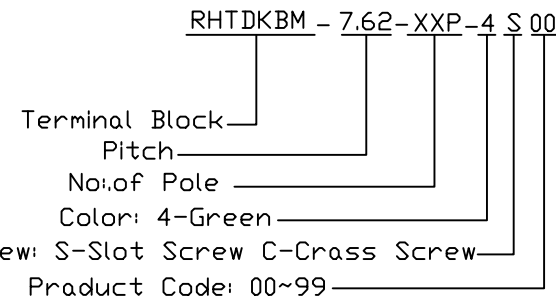
Strip length:7~8mm

Torque:0.5Nm(14.5Lbin)

Order Information



The two line without the feet

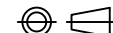


RHTECP NINGBO RHT ELECTRONIC CO.,LTD

UNITS:mm	SHEET SIZE: A4			SCALE:---	DRWN BY PAN
0~3	3~18	18~50	50~120	CHK'D BY FENG	
±0.12	±0.15	±0.3	±0.5	APPR BY ZHAN	

Pluggable Terminal Block 7.62 MM

THIRD ANGLE PROJECTION



RHTDKBM-7.62-XXP-4S-00