

TOLERANCES EXCEPT AS NOTED

Material

Housing:PA66,UL94V-0

Pin header:Brass, Tin plated

Electrical

Rated voltage:300V

Rated current:15A

Contact Resistance:20 mΩ

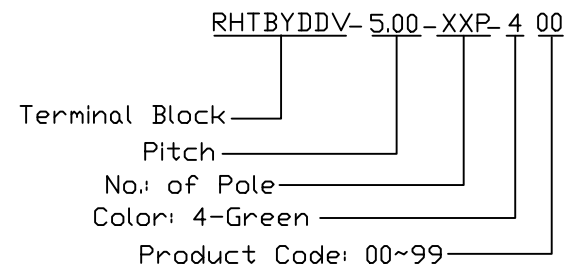
Insulation resistance: 500MΩ/DC500V

Withstand voltage:AC2000V/1min

Mechanical

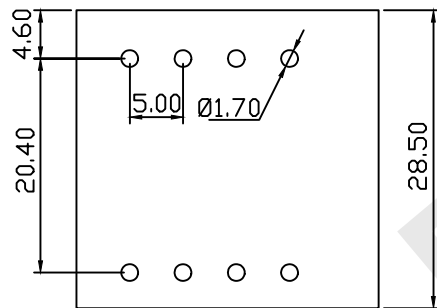
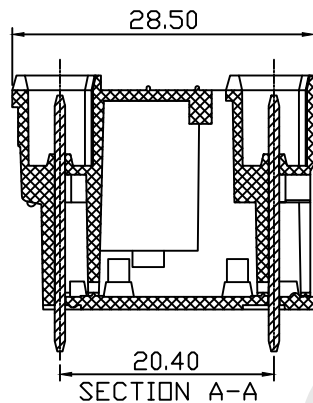
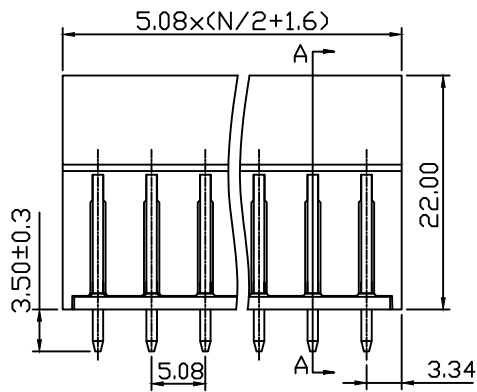
Temp.Range:-40℃~+105℃

Order Information



| | | | | | |
|----------|----------------|-------|--------|---------------|-------------|
| UNITS:mm | SHEET SIZE: A4 | | | SCALE:--- | DRWN BY PAN |
| 0~3 | 3~18 | 18~50 | 50~120 | CHK'D BY FENG | |
| ±0.12 | ±0.15 | ±0.3 | ±0.5 | APPR BY ZHAN | |

| | |
|---------------------------------|------------------------|
| Pluggable Terminal Block 5.00MM | |
| THIRD ANGLE PROJECTION | RHTBYDDV-5.00-XXP-4-00 |



TOLERANCES EXCEPT AS NOTED

Material

Housing:PA66,UL94V-0

Pin header:Brass, Tin plated

Electrical

Rated voltage:300V

Rated current:15A

Contact Resistance:20 mΩ

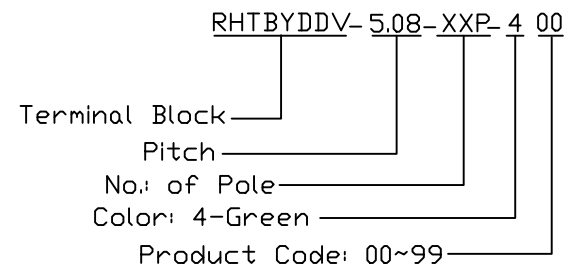
Insulation resistance: 500MΩ/DC500V

Withstand voltage:AC2000V/1min

Mechanical

Temp.Range:-40℃~+105℃

Order Information



RHTECP NINGBO RHT ELECTRONIC CO.,LTD

| | | | | | |
|----------|----------------|-------|--------|---------------|-------------|
| UNITS:mm | SHEET SIZE: A4 | | | SCALE:--- | DRWN BY PAN |
| 0~3 | 3~18 | 18~50 | 50~120 | CHK'D BY FENG | |
| ±0.12 | ±0.15 | ±0.3 | ±0.5 | APPR BY ZHAN | |

| | |
|---------------------------------|------------------------|
| Pluggable Terminal Block 5.08MM | |
| THIRD ANGLE PROJECTION | RHTBYDDV-5.08-XXP-4-00 |