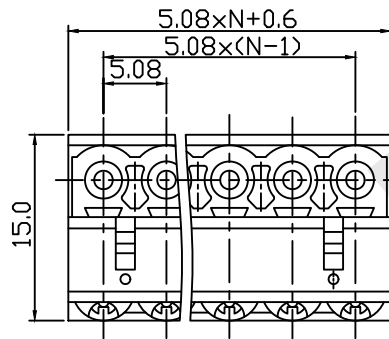


SECTION A-A

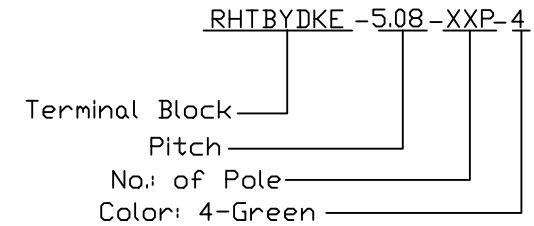


Material
 Clamp: Phosphor Bronze, Tin plated
 Housing: PA66, UL94V-0
 Shrapnel: Stainless Steel

Electrical
 Rated voltage: 300V
 Rated current: 10A
 Wire Range: 28~14AWG 2.5mm²
 Contact Resistance: 20 mΩ
 Insulation resistance: 500MΩ/DC500V
 Withstand voltage: AC2000V/1min

Mechanical
 Temp. Range: -40°C~+105°C
 Strip Length: 7~8mm

Order Information



RHTECP NINGBO RHT ELECTRONIC CO.,LTD

UNITS:mm	SHEET SIZE: A4			SCALE:---	DRWN BY PAN
0~3	3~18	18~50	50~120	CHK'D BY FENG	
±0.12	±0.15	±0.3	±0.5	APPR BY ZHAN	

Pluggable Terminal Block 5.08MM
 THIRD ANGLE PROJECTION
 RHTBYDKE-5.08-XXP-4