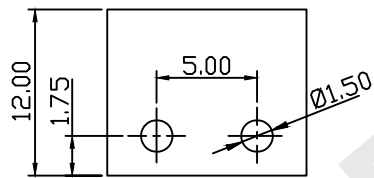


SECTION A-A



PCB LAYOUT

Material

Pin header: Brass, Tin plated

Housing: PA66, UL94V-0

Electrical

Rated voltage: 300V

Rated current: 15A

Contact Resistance: 20 mΩ

Insulation resistance: 500MΩ/DC500V

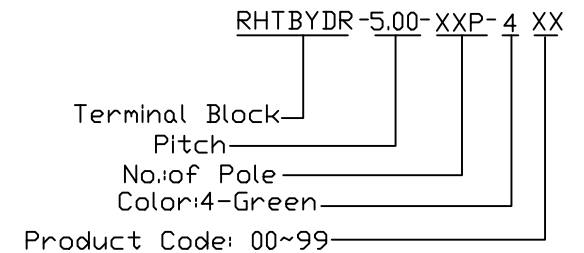
Withstand voltage: AC2000V/1min

Mechanical

Temp. Range: -40°C~+105°C

Soldering: 250°C 5Sec. Max

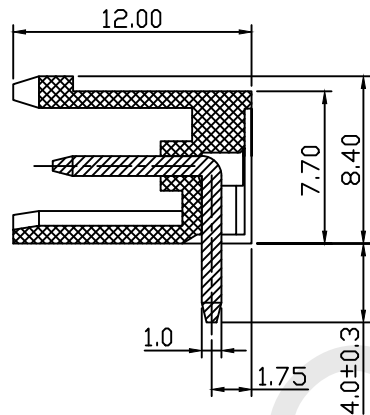
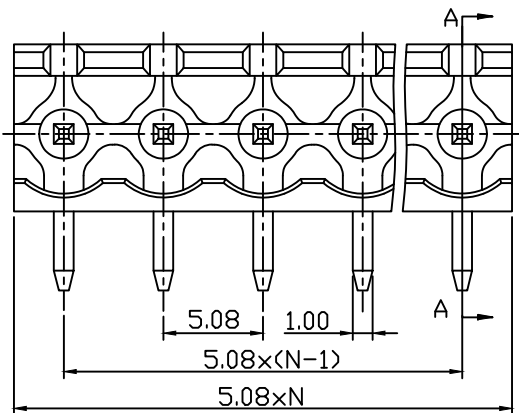
Order Information



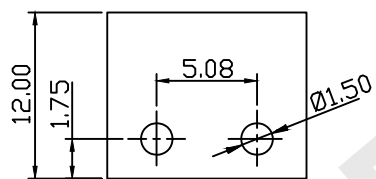
**RHTECP** NINGBO RHT ELECTRONIC CO.,LTD

UNITS:mm	SHEET SIZE: A4			SCALE: ---	DRWN BY PAN
0~3	3~18	18~50	50~120	CHK'D BY FENG	
±0.12	±0.15	±0.3	±0.5	APPR BY ZHAN	

Plug-in TERM BLOCK 5.00MM	
THIRD ANGLE PROJECTION	RHTBYDR-5.00-XXP-4



SECTION A-A



PCB LAYOUT

Material

Pin header: Brass, Tin plated

Housing: PA66, UL94V-0

Electrical

Rated voltage: 300V

Rated current: 15A

Contact Resistance: 20 mΩ

Insulation resistance: 500MΩ/DC500V

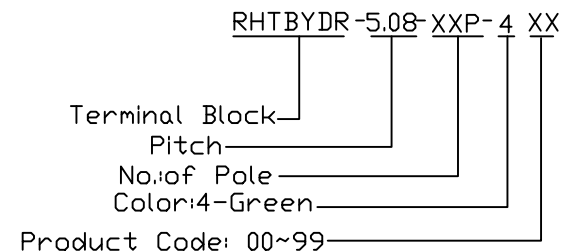
Withstand voltage: AC2000V/1min

Mechanical

Temp. Range: -40°C~+105°C

Soldering: 250°C 5Sec. Max

Order Information



**RHTECP** NINGBO RHT ELECTRONIC CO.,LTD

UNITS:mm	SHEET SIZE: A4			SCALE:---	DRWN BY PAN
0~3	3~18	18~50	50~120	CHK'D BY FENG	
±0.12	±0.15	±0.3	±0.5	APPR BY ZHAN	

Plug-in TERM BLOCK 5.08MM	
THIRD ANGLE PROJECTION	RHTBYDR-5.08-XXP-4