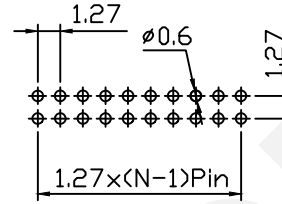
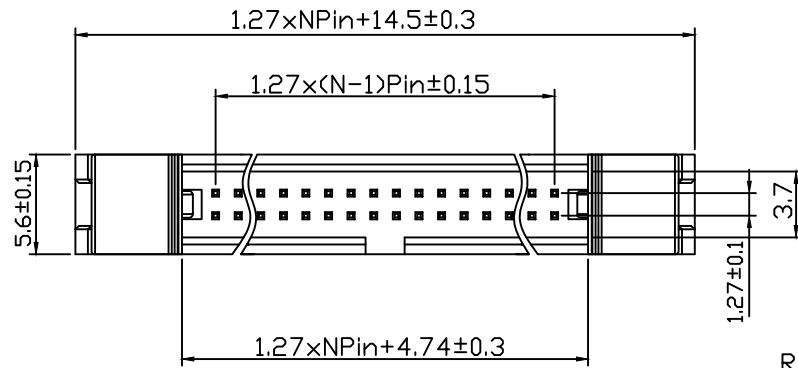
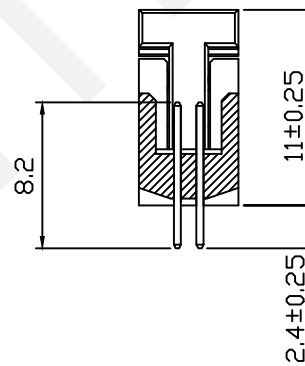
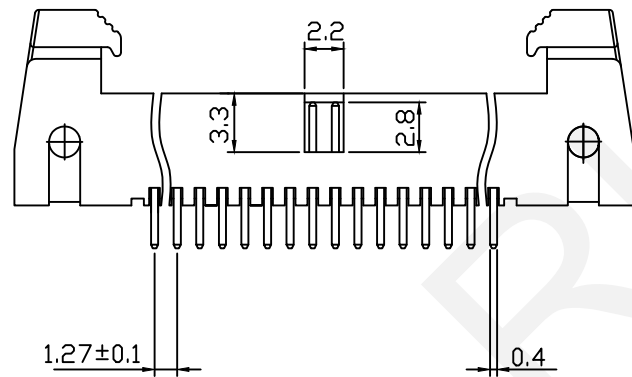


RoHS Compliance



Recommended P.C.B Layout(Top Side)
(PCB BOARD TOLERANCE±0.05)



Material:

Housing: PA6T or LCP, UL94V-0

Contact: Brass

Plating: Gold Plated 1u"

Electrical Characteristics:

Rated Current: 1.0AMP

Contact Resistance: 20MΩ Max

Withstand Voltage: 500V AC/DC

Insulator Resistance: 1000MΩ Min

Mechanical

Operating Temperature: -40°C~+105°C

Max. Processing Temp: 230°C For 30-60
Seconds (260°C For 10 Seconds)

Order Information:

RHTAY01C - XX - S - B - □

Box Header Series

01C: 1.27mm Pitch

XX-No. of 06~68 Pin

Type: S - Straight Pin

R - Right Angle Pin T - SMT

Color: B - Black G - Gray

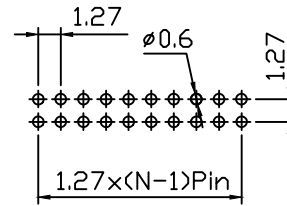
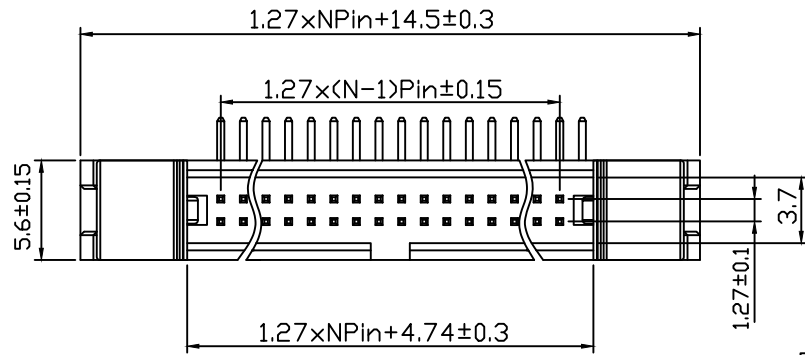
Material: NONE = PA6T C = LCP

RHTECP NINGBO RHT ELECTRONIC CO.,LTD

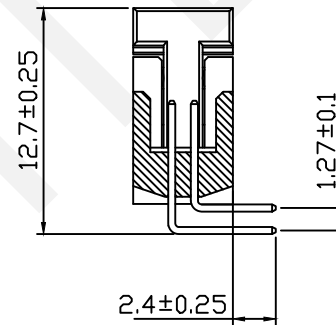
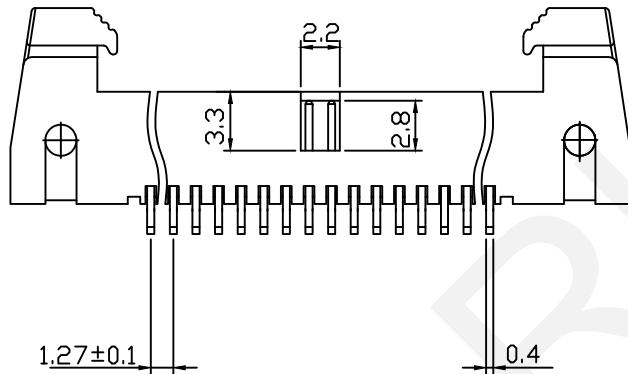
UNITS:mm	SHEET SIZE: A4	SCALE: ---	DRWN BY PAN
0~3	3~18	18~50	50~120
±0.12	±0.15	±0.3	±0.5
			CHK'D BY FENG
			APPR BY ZHAN

1.27mm Pitch	
Box Header Connector With Latch	
THIRD ANGLE PROJECTION	RHTAY01C-XX-S-B-□

RoHS Compliance



Recommended P.C.B Layout(Top Side)
(PCB BOARD TOLERANCE±0.05)



Material:

Housing: PA6T or LCP, UL94V-0

Contact: Brass

Plating: Gold Plated 1u"

Electrical Characteristics:

Rated Current: 1.0AMP

Contact Resistance: 20MΩ Max

Withstand Voltage: 500V AC/DC

Insulator Resistance: 1000MΩ Min

Mechanical

Operating Temperature: -40°C~+105°C

Max. Processing Temp: 230°C For 30-60
Seconds (260°C For 10 Seconds)

Order Information:

RHTAY01C - XX-R-B-□

Box Header Series

01C: 1.27mm Pitch

XX-No. of 06~68 Pin

Type: S-Straight Pin

R-Right Angle Pin T-SMT

Color: B-Black G-Gray

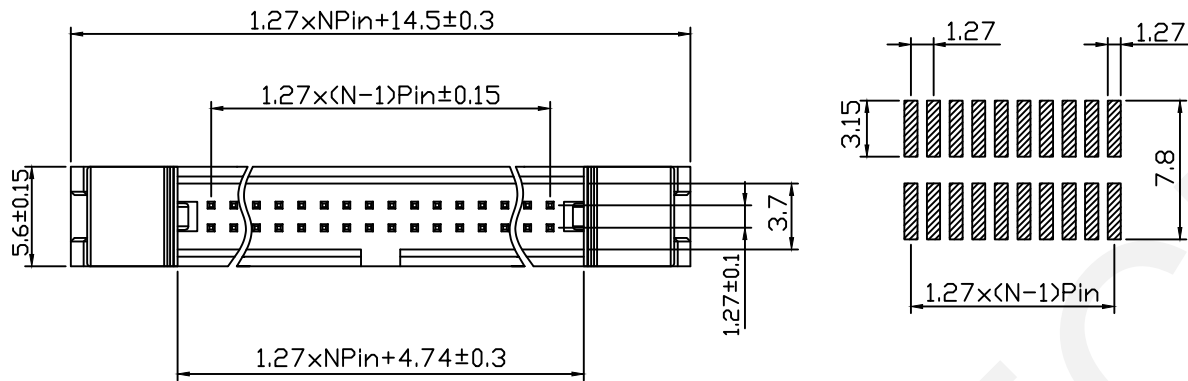
Material: NONE=PA6T C=LCP

RHTECP NINGBO RHT ELECTRONIC CO.,LTD

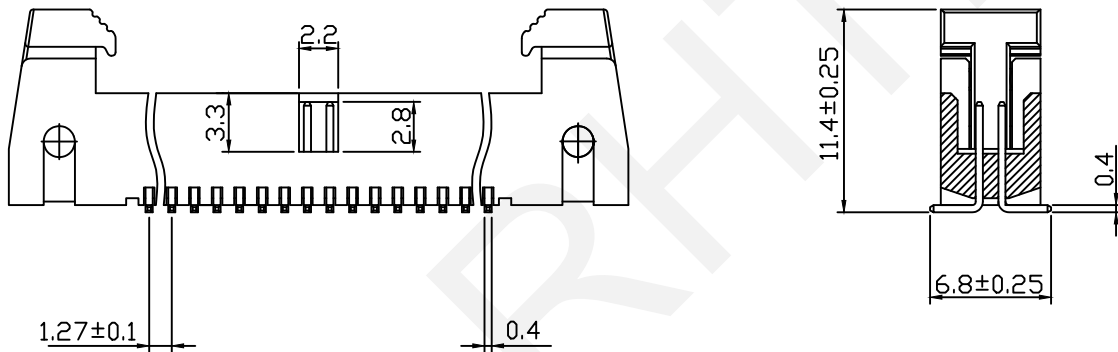
UNITS:mm	SHEET SIZE: A4	SCALE:---	DRWN BY PAN
0~3	3~18	18~50	50~120
±0.12	±0.15	±0.3	±0.5
			CHK'D BY FENG
			APPR BY ZHAN

1.27mm Pitch	
Box Header Connector With Latch	
THIRD ANGLE PROJECTION	RHTAY01C-XX-R-B-□

RoHS Compliance



Recommended P.C.B Layout (Top Side)
(PCB BOARD TOLERANCE±0.05)



Material:

Housing: PA6T or LCP, UL94V-0

Contact: Brass

Plating: Gold Plated 1u"

Electrical Characteristics:

Rated Current: 1.0AMP

Contact Resistance: 20MΩ Max

Withstand Voltage: 500V AC/DC

Insulator Resistance: 1000MΩ Min

Mechanical

Operating Temperature: -40°C~+105°C

Max. Processing Temp: 230°C For 30-60
Seconds (260°C For 10 Seconds)

Order Information:

RHTAY01C - XX - T - B - □ - T

Box Header Series

01C: 1.27mm Pitch

XX-No. of 06~68 Pin

Type: S - Straight Pin

R - Right Angle Pin T - SMT

Color: B - Black G - Gray

Material: NONE = PA6T C = LCP

Packing:

T = Tube P = Tube + Cap R = Reel + Cap



NINGBO RHT ELECTRONIC CO., LTD

UNITS:mm	SHEET SIZE: A4	SCALE: ---	DRWN BY PAN
0~3	3~18	18~50	50~120
±0.12	±0.15	±0.3	±0.5
			CHK'D BY FENG
			APPR BY ZHAN

1.27mm Pitch	
Box Header Connector With Latch	
THIRD ANGLE PROJECTION	RHTAY01C-XX-T-B-□-T