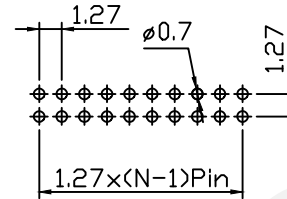
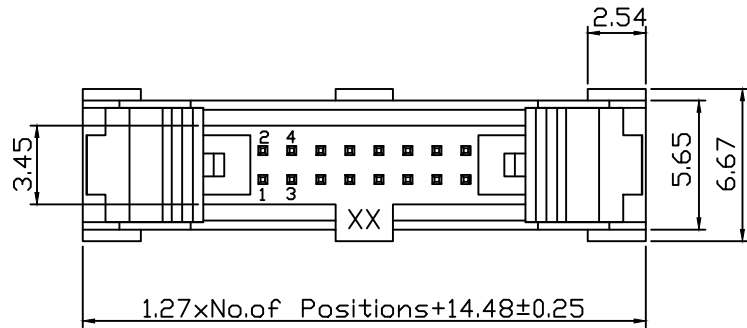
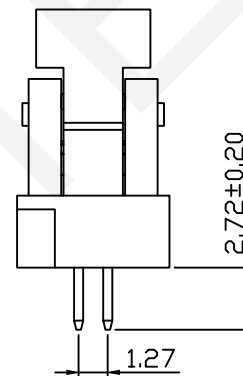
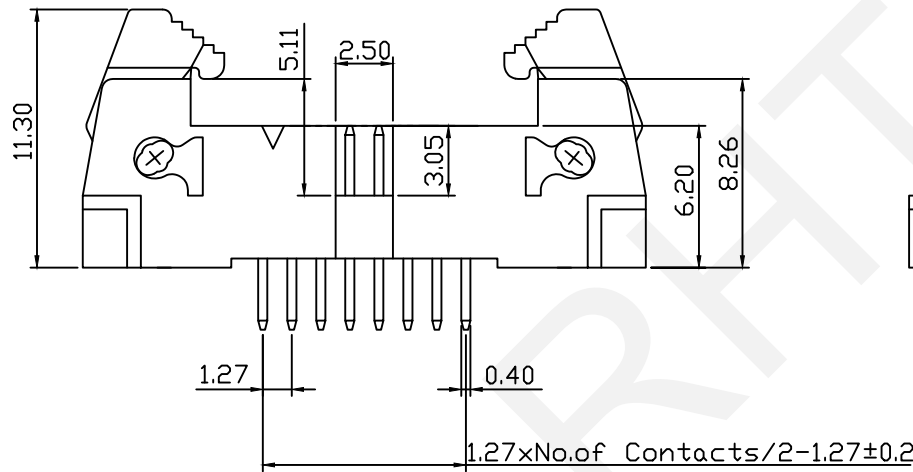


RoHS Compliance



Recommended P.C.B Layout(Top Side)
(PCB BOARD TOLERANCE±0.05)



Material:

Housing:LCP+30%G.F UL94V-0,Color:Black
Contact:Brass,1u" MIN Gold Plating Over All
30u" MIN Nickel Underplating Over All

Electrical Characteristics:

Rated Current: 1.0AMP
Contact Resistance: 20MΩ Max
Withstand Voltage: 500V AC/DC
Insulator Resistance: 1000MΩ Min

Mechanical

Operating Temperature:-40°C~+105°C
Max.Processing Temp:230°C For 30-60
Seconds (260°C For 10 Seconds)

Order Information:

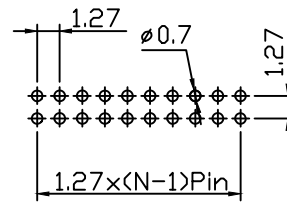
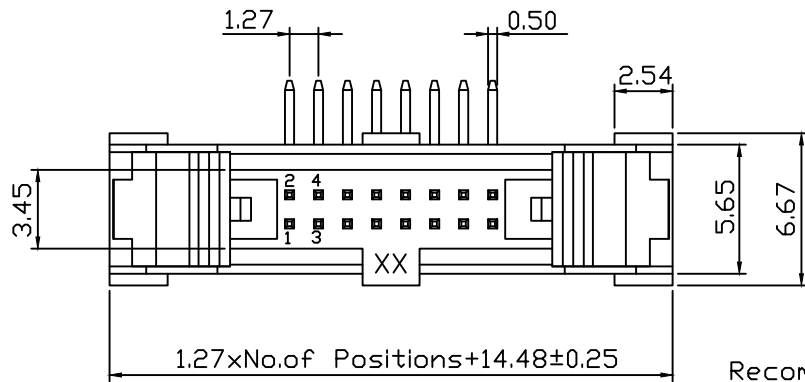
RHTAY01CA-XX-S-B-C
Box Header Series
01CA: 1.27mm Pitch
XX-No.of 06~64 Pin
Type:S-Straight Pin
R-Right Angle Pin T-SMT
Color:B-Black G-Gray
Material:
B=PA6T C=LCP D=PA9T

RHTECP NINGBO RHT ELECTRONIC CO.,LTD

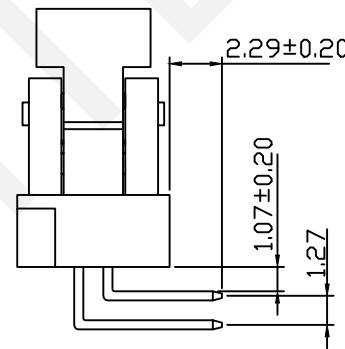
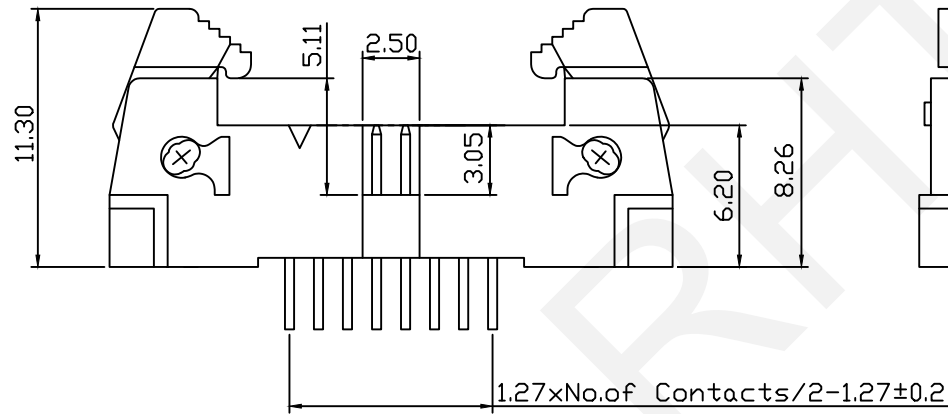
UNITS:mm	SHEET SIZE: A4			SCALE:---	DRWN BY PAN
0~3	3~18	18~50	50~120	CHK'D BY FENG	
±0.12	±0.15	±0.3	±0.5	APPR BY ZHAN	

1.27mm Pitch Box Header Connector
THIRD ANGLE PROJECTION
RHTAY01CA-XX-S-B-C

RoHS Compliance



Recommended P.C.B Layout(Top Side)
(PCB BOARD TOLERANCE±0.05)



Material:

Housing:LCP+30%G.F UL94V-0,Color:Black
Contact:Brass,1u" MIN Gold Plating Over All
30u" MIN Nickel Underplating Over All

Electrical Characteristics:

Rated Current: 1.0AMP
Contact Resistance: 20MΩ Max
Withstand Voltage: 500V AC/DC
Insulator Resistance: 1000MΩ Min

Mechanical

Operating Temperature:-40°C~+105°C
Max.Processing Temp:230°C For 30-60
Seconds (260°C For 10 Seconds)

Order Information:

RHTAY01CA-XX-R-B-C
Box Header Series
01CA: 1.27mm Pitch
XX-No.of 06~64 Pin
Type:S-Straight Pin
R-Right Angle Pin T-SMT
Color:B-Black G-Gray
Material:
B=PA6T C=LCP D=PA9T

RHTECP NINGBO RHT ELECTRONIC CO.,LTD

UNITS:mm	SHEET SIZE: A4			SCALE:---	DRWN BY PAN
0~3	3~18	18~50	50~120	CHK'D BY FENG	
±0.12	±0.15	±0.3	±0.5	APPR BY ZHAN	

1.27mm Pitch Box Header Connector
THIRD ANGLE PROJECTION
RHTAY01CA-XX-R-B-C

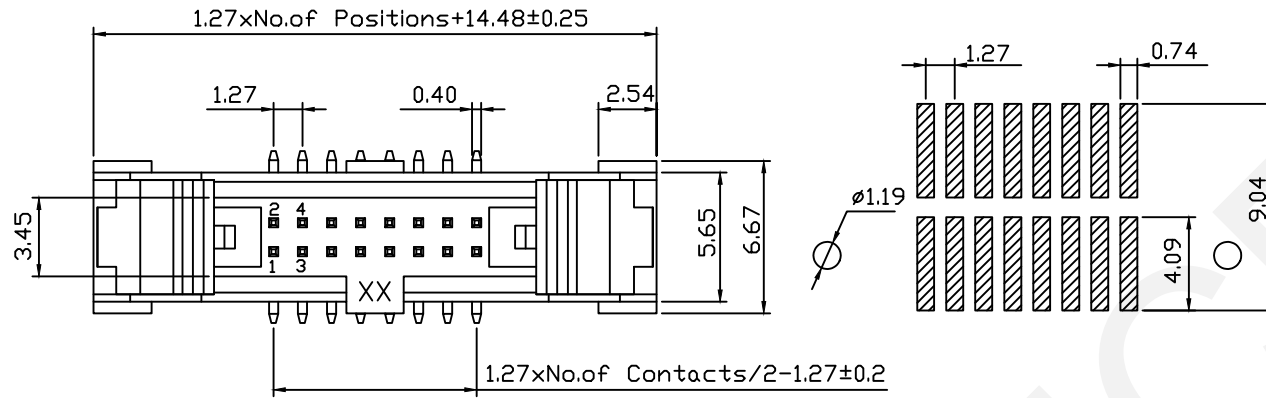
RoHS Compliance

Material:
 Housing:LCP+30%G.F UL94V-0,Color:Black
 Contact:Brass,1u" MIN Gold Plating Over All
 30u" MIN Nickel Underplating Over Al

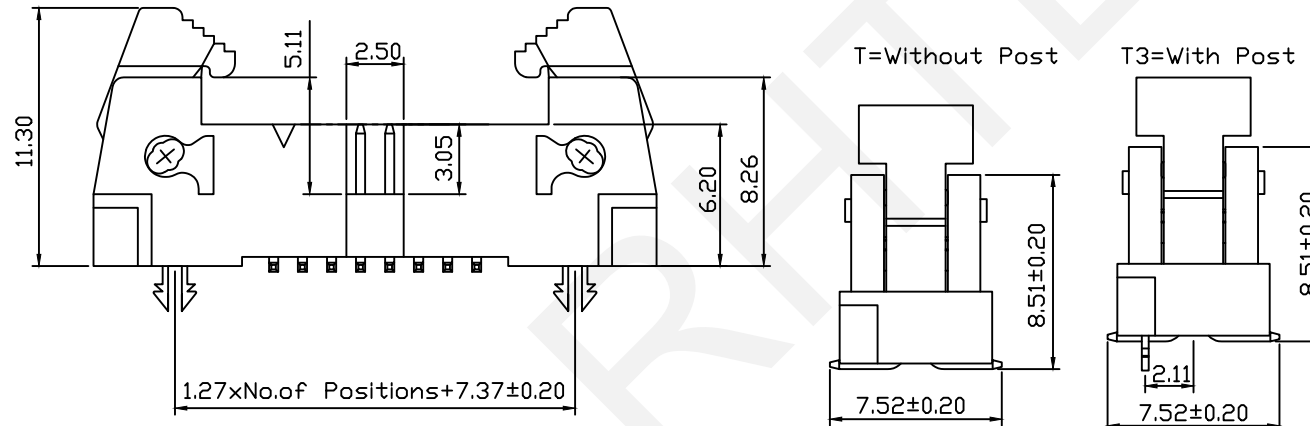
Electrical Characteristics:
 Rated Current: 1.0AMP
 Contact Resistance: 20MΩ Max
 Withstand Voltage: 500V AC/DC
 Insulator Resistance: 1000MΩ Min

Mechanical
 Operating Temperature:-40°C~+105°C
 Max.Processing Temp:230°C For 30-60
 Seconds (260°C For 10 Seconds)

Order Information:
 RHTAY01CA - XX-T-B-C-T
 Box Header Series
 01CA: 1.27mm Pitch
 XX-No.of 06~64 Pin
 SMT:T=Without Post
 T3=With Post
 Color:B-Black G-Gray
 Material:
 B=PA6T C=LCP D=PA9T
 Packing:
 T=Tube P= Tube+Cap R=Reel+Cap



Recommended P.C.B Layout(Top Side)
 (PCB BOARD TOLERANCE±0.05)



NINGBO RHT ELECTRONIC CO.,LTD

UNITS:mm	SHEET SIZE: A4	SCALE:---	DRWN BY PAN
0~3	3~18	18~50	50~120
±0.12	±0.15	±0.3	±0.5
			CHK'D BY FENG
			APPR BY ZHAN

1.27mm Pitch Box Header Connector	
THIRD ANGLE PROJECTION	RHTAY01CA-XX-T-B-C-T