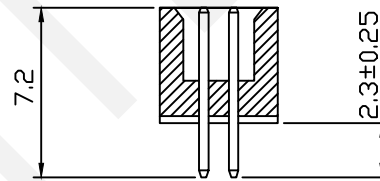
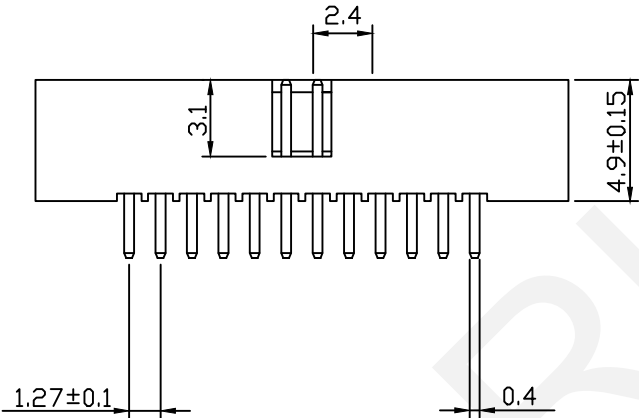


Recommended P.C.B Layout (Top Side)
(PCB BOARD TOLERANCE ±0.05)



Material:
Housing: PA6T Or LCP,UL94V-0
Contact: Brass
Plating: Gold Plated

Electrical Characteristics:
Rated Current: 1.0AMP
Contact Resistance: 20MΩ Max
Withstand Voltage: 500V AC/DC
Insulator Resistance: 1000MΩ Min

Mechanical
Operating Temperature: -40°C ~ +105°C
Max. Processing Temp: 230°C For 30-60 Seconds (260°C For 10 Seconds)

Order Information:

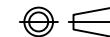
RHTAY02C-XX-S-B-□
Box Header Series
02C: 1.27mm Pitch
XX-No. of 06~100 pins
Type: S-Straight pin
R-Right Angle Pin T-SMT
Color: B-Black G-Gray
Material: NONE=PA6T C=LCP
D=PA9T

NINGBO RHT ELECTRONIC CO.,LTD

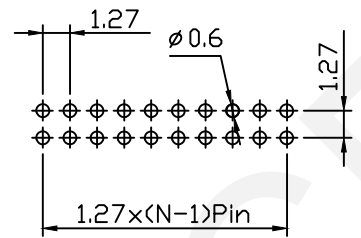
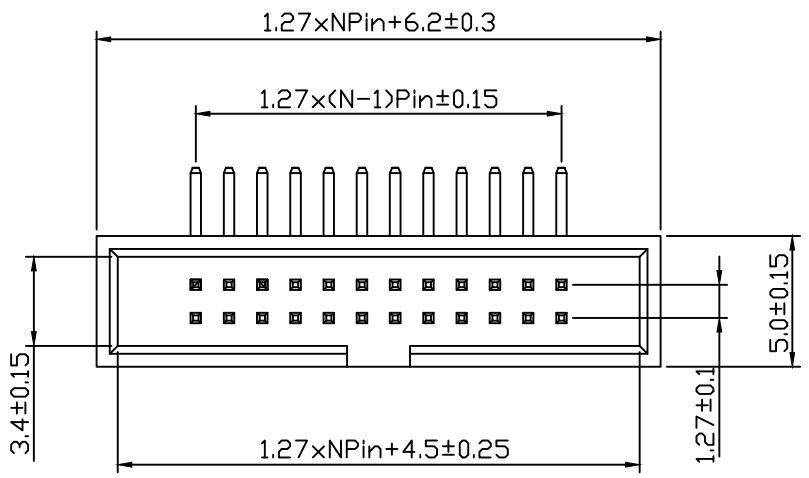
UNITS:mm	SHEET SIZE: A4			SCALE:---	DRWN BY PAN
0~3	3~18	18~50	50~120	CHK'D BY FENG	
±0.12	±0.15	±0.3	±0.5	APPR BY ZHAN	

1.27x1.27mm Pitch Box Header Connector

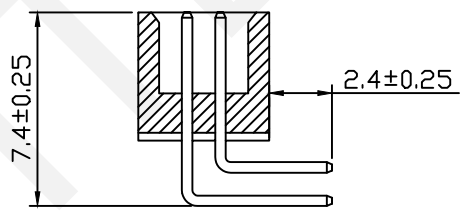
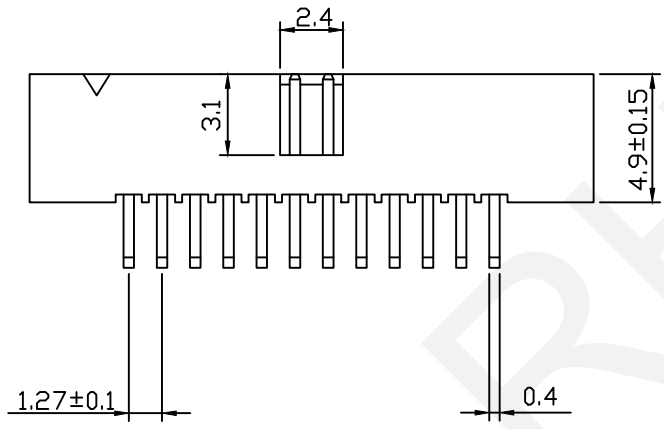
THIRD ANGLE PROJECTION



RHTAY02C-XX-S-B-□



Recommended P.C.B Layout(Top Side)
(PCB BOARD TOLERANCE±0.05)



Material:
Housing: PA6T Or LCP,UL94V-0
Contact: Brass
Plating: Gold Plated

Electrical Characteristics:
Rated Current: 1.0AMP
Contact Resistance: 20MΩ Max
Withstand Voltage: 500V AC/DC
Insulator Resistance: 1000MΩ Min

Mechanical
Operating Temperature:-40°C~+105°C
Max.Processing Temp:230°C For 30-60
Seconds (260°C For 10 Seconds)

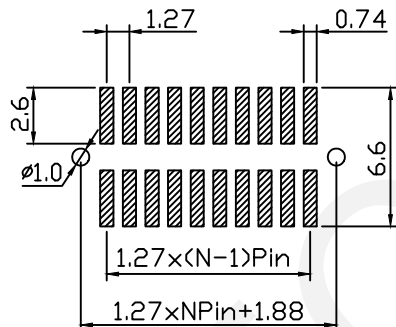
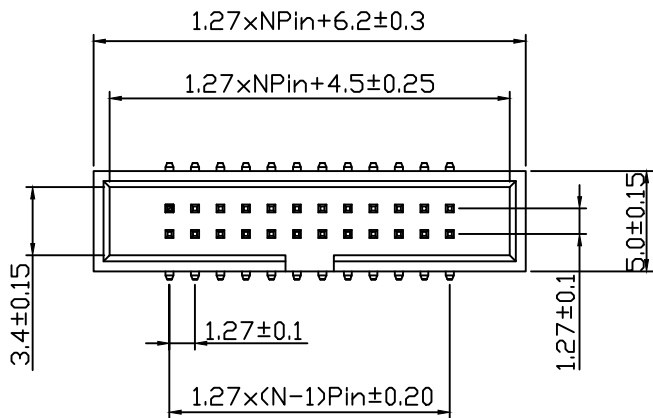
Order Information:
RHTAY02C-XX-R-B-□
Box Header Series
02C: 1.27mm Pitch
XX-No.of 06~100 pins
Type:S-Straight pin
R-Right Angle Pin T-SMT
Color:B-Black G-Gray
Material:NONE=PA6T C=LCP
D=PA9T



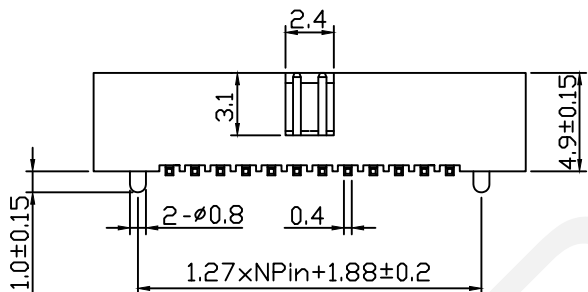
NINGBO RHT ELECTRONIC CO.,LTD

UNITS:mm	SHEET SIZE: A4			SCALE:---	DRWN BY PAN
0~3	3~18	18~50	50~120	CHK'D BY FENG	
±0.12	±0.15	±0.3	±0.5	APPR BY ZHAN	

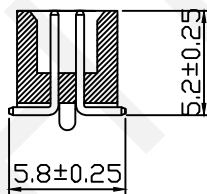
1.27x1.27mm Pitch Box Header Connector
THIRD ANGLE PROJECTION
RHTAY02C-XX-R-B-□



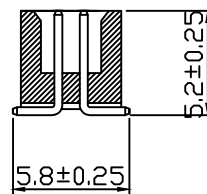
Recommended P.C.B Layout(Top Side)
(PCB BOARD TOLERANCE±0.05)



T3=With Post



T=Without Post



Material:

Housing: PA6T Or LCP,UL94V-0

Contact: Brass

Plating: Gold Plated

Electrical Characteristics:

Rated Current: 1.0AMP

Contact Resistance: 20MΩ Max

Withstand Voltage: 500V AC/DC

Insulator Resistance: 1000MΩ Min

Mechanical

Operating Temperature:-40°C~+105°C

Max.Processing Temp:230°C For 30-60

Seconds (260°C For 10 Seconds)

Order Information:

RHTAY02C-XX-T-B-□-T

Box Header Series

02C:1.27mm Pitch

XX-No.of 06~100 pins

Type:S-Straight pin

R-Right Angle Pin T-SMT

Color:B-Black G-Gray

Material:NONE=PA6T C=LCP

D=PA9T

Packing:

T=Tube P=Tube+Cap R=Reel+Cap

RHTECP NINGBO RHT ELECTRONIC CO.,LTD

UNITS:mm

SHEET SIZE: A4

SCALE:---

DRWN BY PAN

1.27x1.27mm Pitch Box Header Connector

0~3

3~18

18~50

50~120

CHK'D BY FENG

THIRD ANGLE PROJECTION

RHTAY02C-XX-T-B-□-T

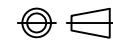
±0.12

±0.15

±0.3

±0.5

APPR BY ZHAN



1

2

3

4

5

6

7

8

9