

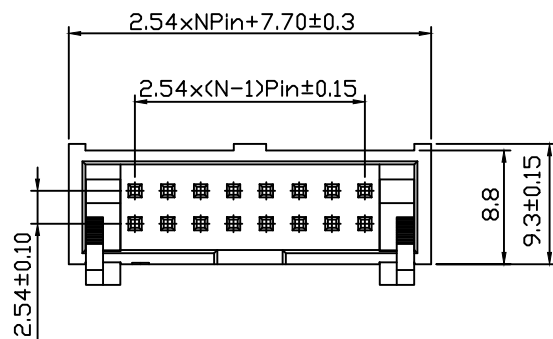
RoHS Compliance

Material:
 Housing: PBT, UL94V-0
 Contact: Brass
 Plating: Gold Plated 0.8u"

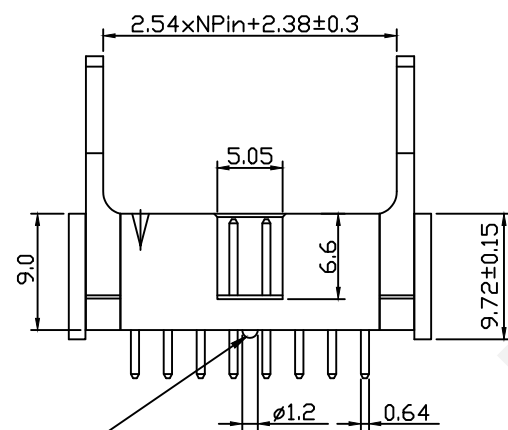
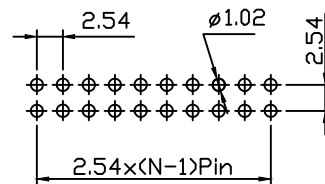
Electrical Characteristics:
 Rated Current: 3.0AMP
 Contact Resistance: 20MΩ Max
 Withstand Voltage: 1000V AC/DC
 Insulator Resistance: 1000MΩ Min

Mechanical
 Operating Temperature: -40°C~+105°C
 Max.Processing Temp: 180°C For 30-60
 Seconds (200°C For 10 Seconds)

Order Information:
 RHTAY02G - XX-S-B-D-□
 Box Header Series
 02G: 2.54mm Pitch
 XX-No.of 08~64 Pin
 Type:S-Straight Pin
 R-Right Angle Pin T-SMT
 Color:B-Black G-Gray
 Latch Type:D=Long Latch
 D1=Short Latch
 Material: NONE=PBT B=PA6T



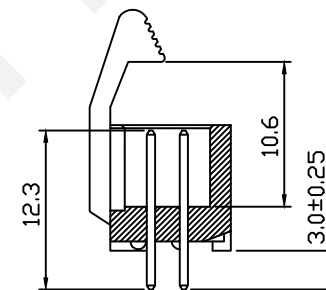
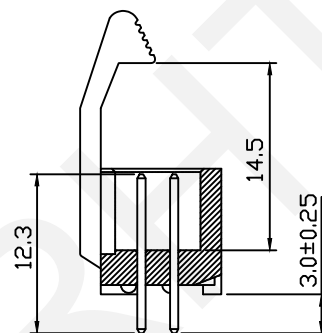
Recommended P.C.B Layout(Top Side)
 (PCB BOARD TOLERANCE±0.05)



Note: 2xNPin No Convex Point(N Is An Odd Number)

D=Long Latch

D1=Short Latch

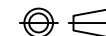


RHTECP NINGBO RHT ELECTRONIC CO.,LTD

UNITS:mm	SHEET SIZE: A4			SCALE:---	DRWN BY PAN
0~3	3~18	18~50	50~120	CHK'D BY FENG	
±0.12	±0.15	±0.3	±0.5	APPR BY ZHAN	

2.54mm Pitch Box Header Connector

THIRD ANGLE PROJECTION



RHTAY02G-XX-S-B-D-□

RoHS Compliance

Material:
 Housing: PBT, UL94V-0
 Contact: Brass
 Plating: Gold Plated 0.8u"

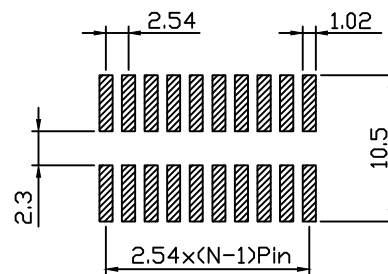
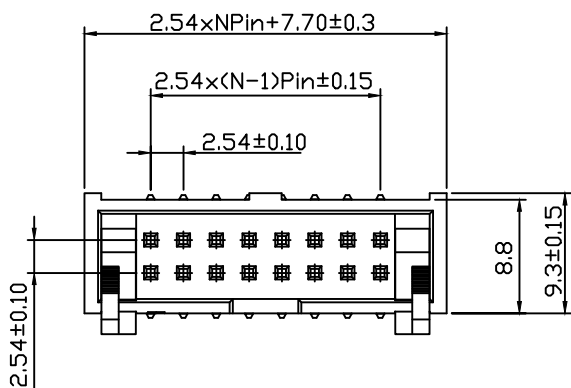
Electrical Characteristics:
 Rated Current: 3.0AMP
 Contact Resistance: 20MΩ Max
 Withstand Voltage: 1000V AC/DC
 Insulator Resistance: 1000MΩ Min

Mechanical
 Operating Temperature: -40°C~+105°C
 Max.Processing Temp: 230°C For 30-60
 Seconds (260°C For 10 Seconds)

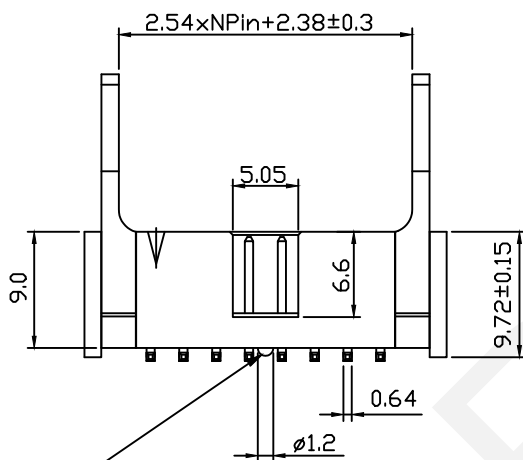
Order Information:

RHTAY02G - XX-T-B-D-B-A

Box Header Series
 02G: 2.54mm Pitch
 XX-No.of 08~64 Pin
 Type:S-Straight Pin
 R-Right Angle Pin T-SMT
 Color:B-Black G-Gray
 Latch Type:D=Long Latch
 D1=Short Latch
 Material:B=PA6T
 Packing:
 =Tray

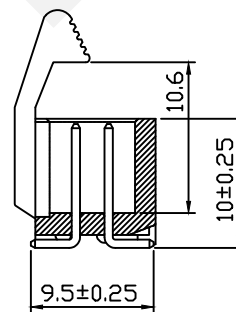
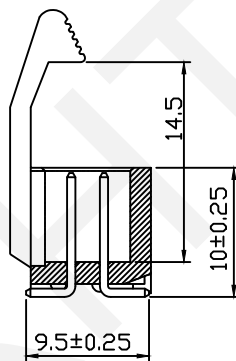


Recommended P.C.B Layout(Top Side)
 (PCB BOARD TOLERANCE±0.05)



D=Long Latch

D1=Short Latch



Note: 2xNPin No Convex Point(N Is An Odd Number)

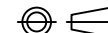


NINGBO RHT ELECTRONIC CO.,LTD

UNITS:mm	SHEET SIZE: A4			SCALE:---	DRWN BY PAN
0~3	3~18	18~50	50~120	CHK'D BY FENG	
±0.12	±0.15	±0.3	±0.5	APPR BY ZHAN	

2.54mm Pitch Box Header Connector

THIRD ANGLE PROJECTION



RHTAY02G-XX-T-B-D-B-A