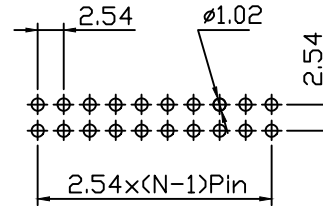
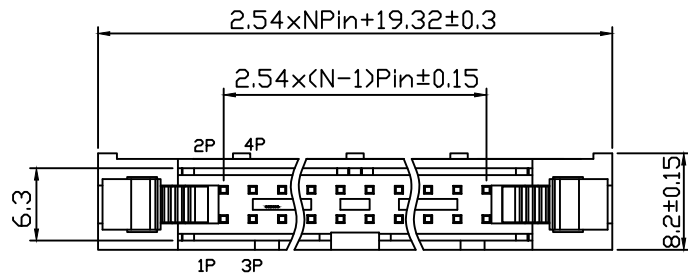
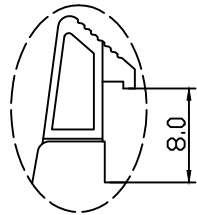
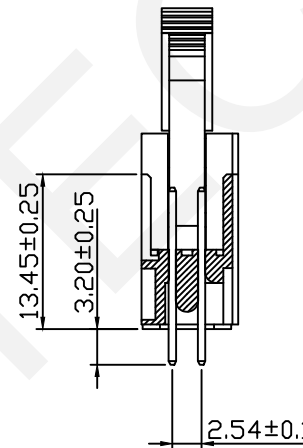
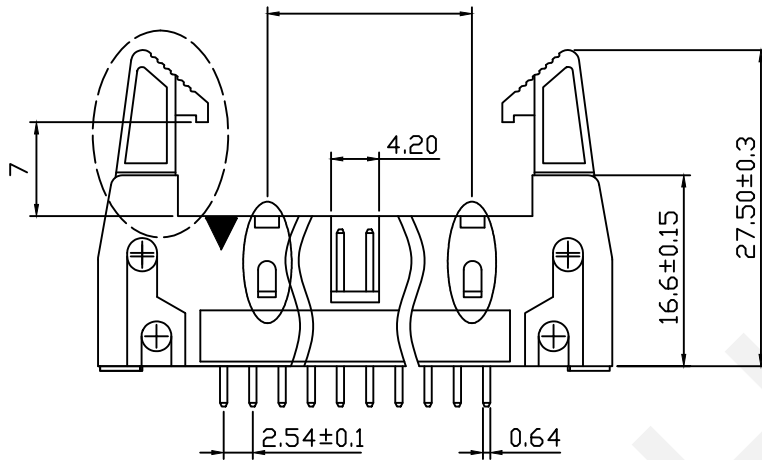


RoHS Compliance



Recommended P.C.B Layout<Top Side>  
(PCB BOARD TOLERANCE±0.05)

Below 20Pos Without  
The Central Hole



NONE=Long Latch



S=Short latch

Material:  
Housing: PBT, UL94V-0  
Contact: Brass  
Plating: Gold Plated 0.8u"

Electrical Characteristics:  
Rated Current: 3.0AMP  
Contact Resistance: 20MΩ Max  
Withstand Voltage: 1000V AC/DC  
Insulator Resistance: 1000MΩ Min

Mechanical  
Operating Temperature: -40°C~+105°C  
Max.Processing Temp: 180°C For 30-60  
Seconds (200°C For 10 Seconds)

Order Information:

RHTAYB01 - XX-S-B-□-□

Box Header Series  
B01: 2.54mm Pitch  
XX-No.of 06~64 pins  
Type:S-Straight pin  
R-Right Angle Pin T-SMT  
Color:B-Black G-Gray  
Latch Type:NONE=Long Latch  
S=Short Latch  
Material:NONE=PBT B=PA6T

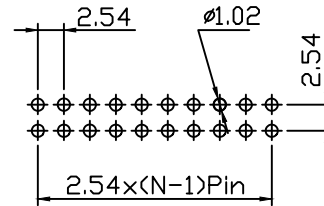
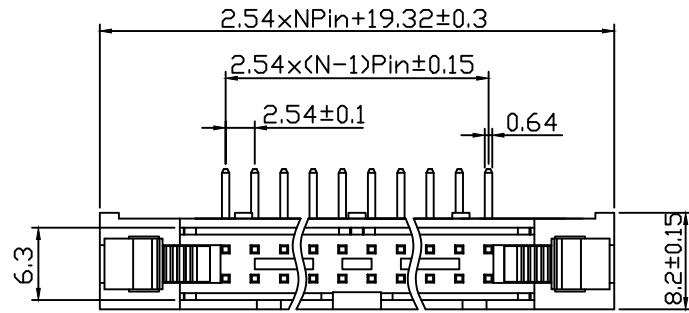
**RHTECP** NINGBO RHT ELECTRONIC CO.,LTD

|          |                |           |             |
|----------|----------------|-----------|-------------|
| UNITS:mm | SHEET SIZE: A4 | SCALE:--- | DRWN BY PAN |
| 0~3      | 3~18           | 18~50     | 50~120      |
| ±0.12    | ±0.15          | ±0.3      | ±0.5        |

CHK'D BY FENG  
APPR BY ZHAN

2.54mm Pitch  
Box Header Connector With Latch  
THIRD ANGLE PROJECTION  
RHTAYB01-XX-S-B-□-□

RoHS Compliance



Recommended P.C.B Layout(Top Side)  
(PCB BOARD TOLERANCE±0.05)

Material:  
Housing: PBT, UL94V-0  
Contact: Brass  
Plating: Gold Plated 0.8u"

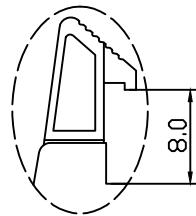
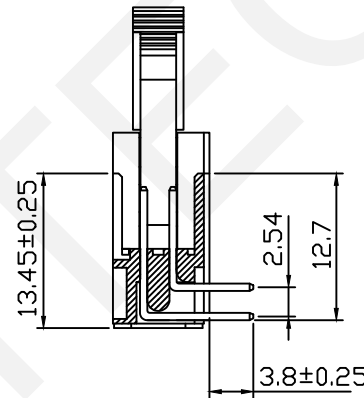
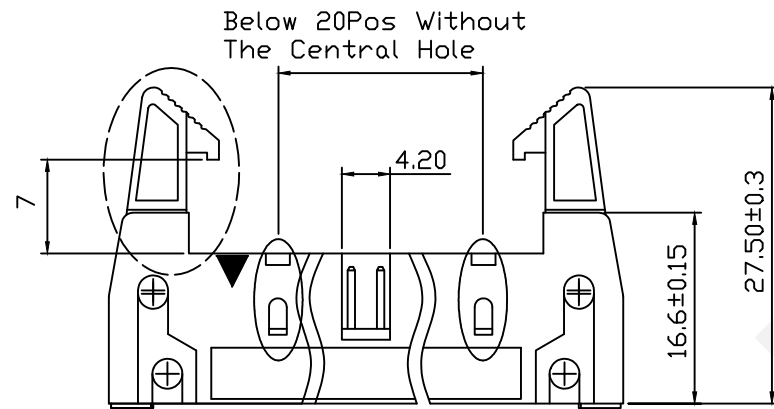
Electrical Characteristics:  
Rated Current: 3.0AMP  
Contact Resistance: 20MΩ Max  
Withstand Voltage: 1000V AC/DC  
Insulator Resistance: 1000MΩ Min

Mechanical  
Operating Temperature:-40°C~+105°C  
Max.Processing Temp:180°C For 30-60  
Seconds (200°C For 10 Seconds)

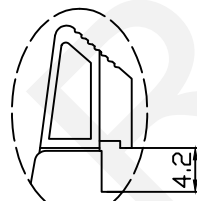
Order Information:

RHTAYB01 - XX-R-B-□-□

Box Header Series  
B01: 2.54mm Pitch  
XX-No.of 06~64 pins  
Type:S-Straight pin  
R-Right Angle Pin T-SMT  
Color:B-Black G-Gray  
Latch Type:NONE=Long Latch  
S=Short Latch  
Material:NONE=PBT B=PA6T



NONE=Long Latch



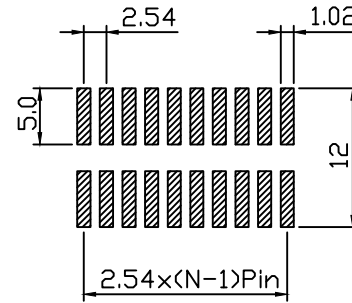
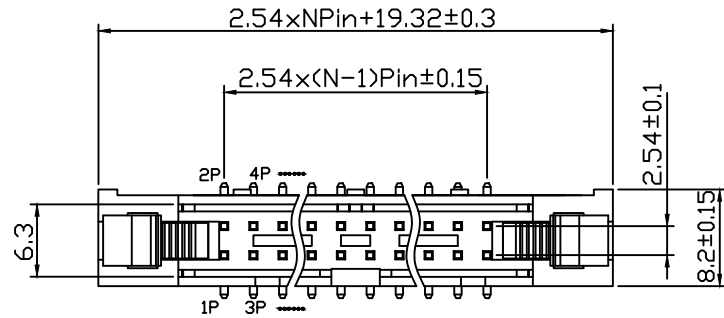
S=Short latch

**RHTECP** NINGBO RHT ELECTRONIC CO.,LTD

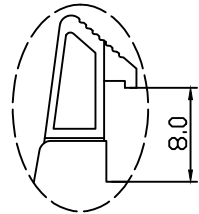
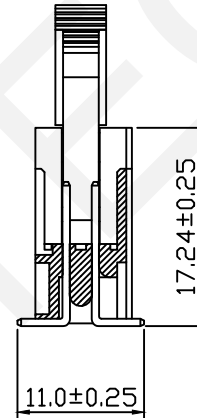
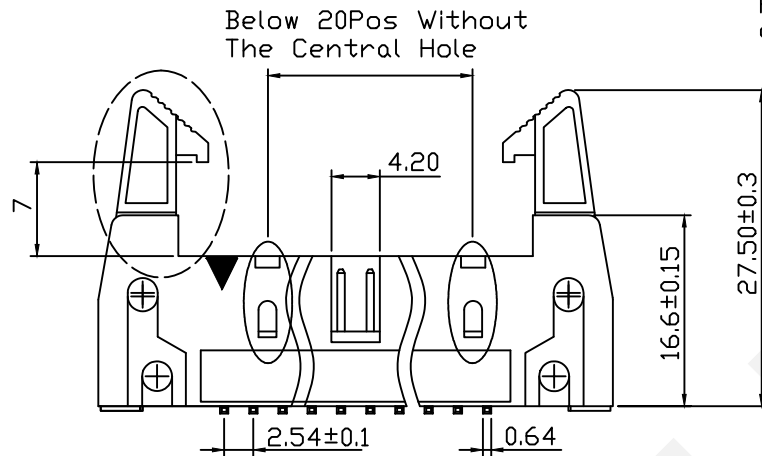
|          |                |           |               |
|----------|----------------|-----------|---------------|
| UNITS:mm | SHEET SIZE: A4 | SCALE:--- | DRWN BY PAN   |
| 0~3      | 3~18           | 18~50     | 50~120        |
| ±0.12    | ±0.15          | ±0.3      | ±0.5          |
|          |                |           | CHK'D BY FENG |
|          |                |           | APPR BY ZHAN  |

2.54mm Pitch  
Box Header Connector With Latch  
THIRD ANGLE PROJECTION  
RHTAYB01-XX-R-B-□-□

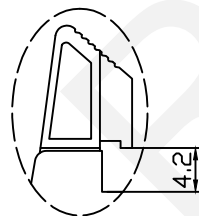
RoHS Compliance



Recommended P.C.B Layout(Top Side)  
(PCB BOARD TOLERANCE±0.05)



NONE=Long Latch



S=Short latch

Material:

Housing: PBT, UL94V-0

Contact: Brass

Plating: Gold Plated 0.8u"

Electrical Characteristics:

Rated Current: 3.0AMP

Contact Resistance: 20MΩ Max

Withstand Voltage: 1000V AC/DC

Insulator Resistance: 1000MΩ Min

Mechanical

Operating Temperature:-40°C~+105°C

Max.Processing Temp:180°C For 30-60

Seconds (200°C For 10 Seconds)

Order Information:

RHTAYB01 - XX-T-B-□-B-T

Box Header Series

B01: 2.54mm Pitch

XX-No.of 06~64 pins

Type:S-Straight pin

R-Right Angle Pin T-SMT

Color:B-Black G-Gray

Latch Type:NONE=Long Latch

S=Short Latch

Material:NONE=PBT B=PA6T

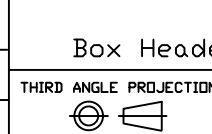
Packing:T=Tube P=Tube+Cap R=Reel+Cap



NINGBO RHT ELECTRONIC CO.,LTD

|          |                |           |             |
|----------|----------------|-----------|-------------|
| UNITS:mm | SHEET SIZE: A4 | SCALE:--- | DRWN BY PAN |
| 0~3      | 3~18           | 18~50     | 50~120      |
| ±0.12    | ±0.15          | ±0.3      | ±0.5        |

|               |
|---------------|
| CHK'D BY FENG |
| APPR BY ZHAN  |



2.54mm Pitch  
Box Header Connector With Latch  
RHTAYB01-XX-T-B-□-B-T