

Material:
Housing: PBT, UL94V-0
Contact: Brass
Plating: Gold Flash Plated

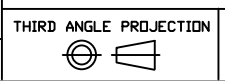
Electrical Characteristics:
Rated Current: 3.0AMP
Contact Resistance: 20MΩ Max
Withstand Voltage: 1000V AC/DC
Insulator Resistance: 1000MΩ Min

Mechanical
Operating Temperature: -40°C~+105°C
Max.Processing Temp: 180°C For 30-60
Seconds (200°C For 10 Seconds)

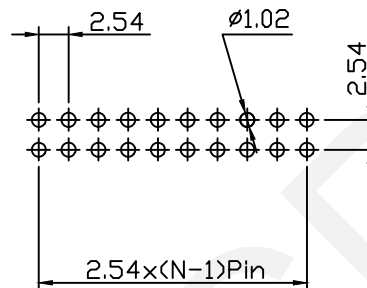
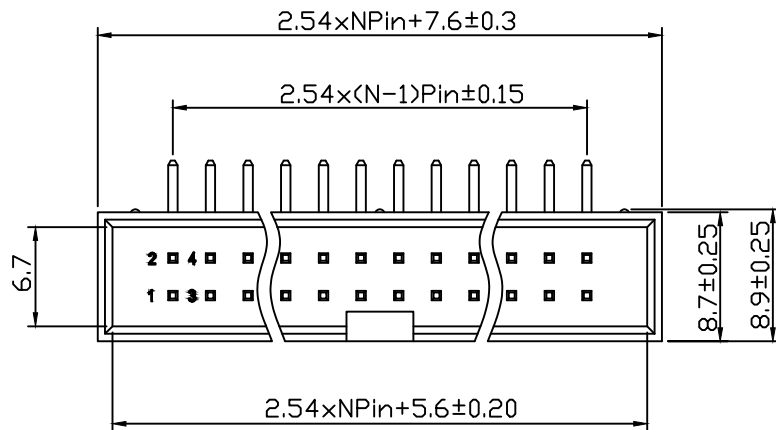
Order Information:
RHTAYB02 - XX-S-B-□
Box Header Series
B02: 2.54mm Pitch
XX-No.of 06~64 pins
Type:S-Straight pin
R-Right Angle Pin T-SMT
Color:B-Black G-Gray
Material:NDNE=PBT B=PA6T

Recommended P.C.B Layout(Top Side)
(PCB BOARD TOLERANCE±0.05)

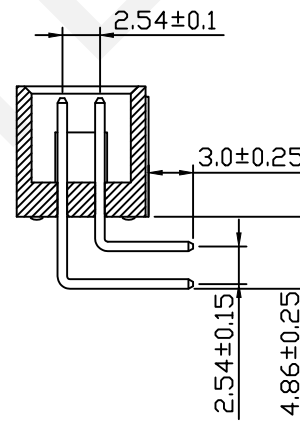
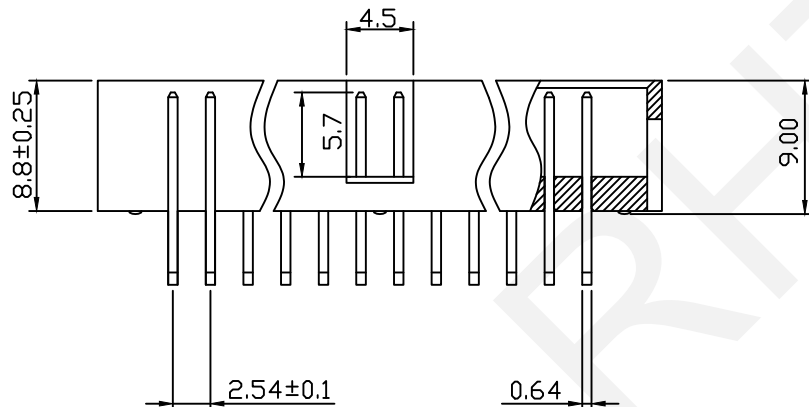
UNITS:mm	SHEET SIZE: A4				SCALE:---	DRWN BY PAN
0~3	3~18	18~50	50~120	CHK'D BY FENG	2.54mm Pitch Box Header Connector	
±0.12	±0.15	±0.3	±0.5	APPR BY ZHAN	RHTAYB02-XX-S-B-□	



NINGBO RHT ELECTRONIC CO.,LTD



Recommended P.C.B Layout(Top Side)
(PCB BOARD TOLERANCE±0.05)



Material:

Housing: PBT, UL94V-0

Contact: Brass

Plating: Gold Flash Plated

Electrical Characteristics:

Rated Current: 3.0AMP

Contact Resistance: 20MΩ Max

Withstand Voltage: 1000V AC/DC

Insulator Resistance: 1000MΩ Min

Mechanical

Operating Temperature: -40°C~+105°C

Max.Processing Temp: 180°C For 30-60

Seconds (200°C For 10 Seconds)

Order Information:

RHTAYB02 - XX-R-B-□

Box Header Series

B02: 2.54mm Pitch

XX-No.of 06~64 pins

Type:S-Straight pin

R-Right Angle Pin T-SMT

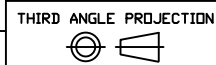
Color:B-Black G-Gray

Material:NDNE=PBT B=PA6T

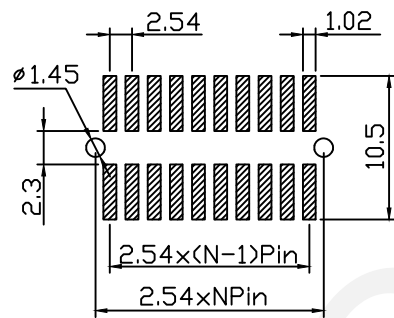
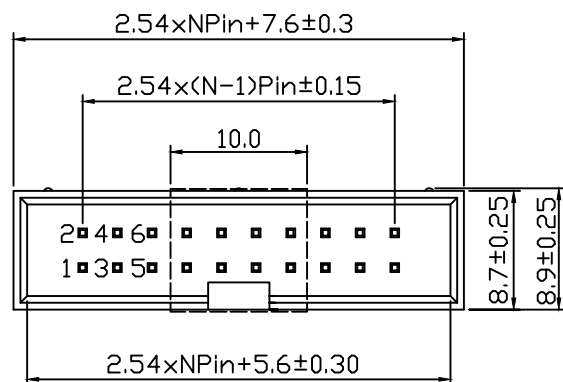


NINGBO RHT ELECTRONIC CO.,LTD

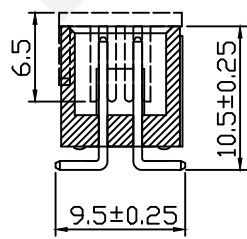
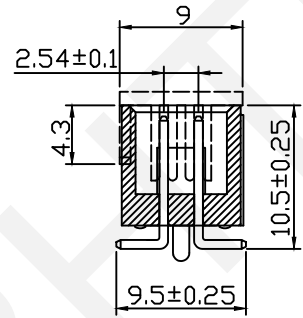
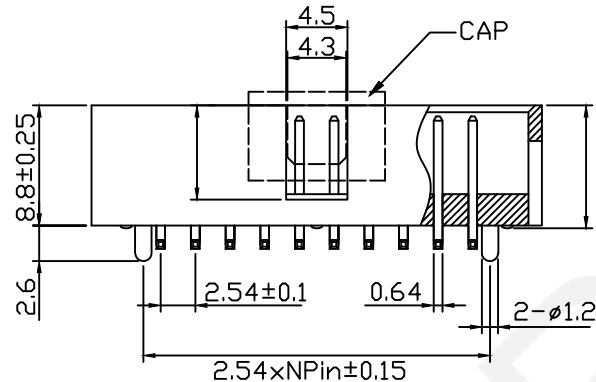
UNITS:mm	SHEET SIZE: A4				SCALE:---	DRWN BY PAN
0~3	3~18	18~50	50~120	CHK'D BY FENG	2.54mm Pitch Box Header Connector	
±0.12	±0.15	±0.3	±0.5	APPR BY ZHAN	THIRD ANGLE PROJECTION	RHTAYB02-XX-R-B-□



RHTAYB02-XX-R-B-□



Recommended P.C.B Layout(Top Side)
(PCB BOARD TOLERANCE±0.05)



T3=With Post T=Without Post

Material:
Housing: PBT, UL94V-0
Contact: Brass
Plating: Gold Flash Plated

Electrical Characteristics:
Rated Current: 3.0AMP
Contact Resistance: 20MΩ Max
Withstand Voltage: 1000V AC/DC
Insulator Resistance: 1000MΩ Min

Mechanical
Operating Temperature:-40°C~+105°C
Max.Processing Temp:230°C For 30-60
Seconds (260°C For 10 Seconds)

Order Information:
RHTAYB02-XX-T-B-B-T
Box Header Series
B02: 2.54mm Pitch
XX-No.of 06~64 pins
SMT:T=Without Post
T3=With Post
Color:B-Black G-Gray
Material:B=PA6T
Packing:
T=Tube P=Tube+Cap R=Reel+Cap



NINGBO RHT ELECTRONIC CO.,LTD

UNITS:mm	SHEET SIZE: A4			SCALE:---	DRWN BY PAN
0~3	3~18	18~50	50~120	CHK'D BY FENG	
±0.12	±0.15	±0.3	±0.5	APPR BY ZHAN	

2.54mm Pitch Box Header Connector
THIRD ANGLE PROJECTION
RHTAYB02-XX-T-B-B-T