

Electrical Specifications.

Impedance:50Ω

Frequency Range:0-6 GHz

Flexible cables:0-12.4 GH

Voltage Rating :335 volts rms.

Dielectric Withstanding Voltage :500 volts rms

VSWR:1.15+0.02 f(GHz)for Straight connector typical

1.25 +0 .025 f(GHz) for Right angle connector typical

Contact Resifance Center contact: 2.0 mΩ

Body: 2.0 mΩ

Insulation Resistance:5,000 MΩ

Mechanical Specifications:

Mating:1/4"-36 UNS thread coupling

Cable retention:6kgf typical

Durability:500Cycles Min.

Coupling nut retention:18kgf Min.

Temperature Range:-55°K to +155°

Material:

Connector body: Brass per QQ-B-626 ,gold Plating or nickel

Center contact Male: Brass,gold Plating

Center Contact Female: Beryllium copper,gold Plating

Insulator: PTFE

Gasket:Silicone rubber

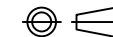
Crimp Ferrule:Annealed copper

 NINGBO RHT ELECTRONIC CO.,LTD

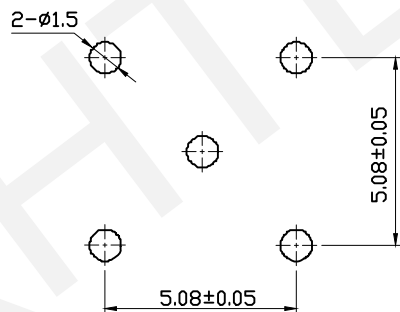
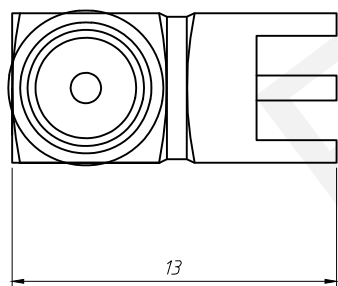
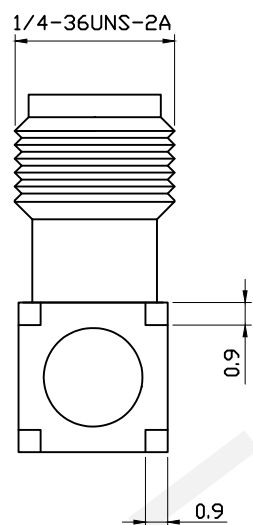
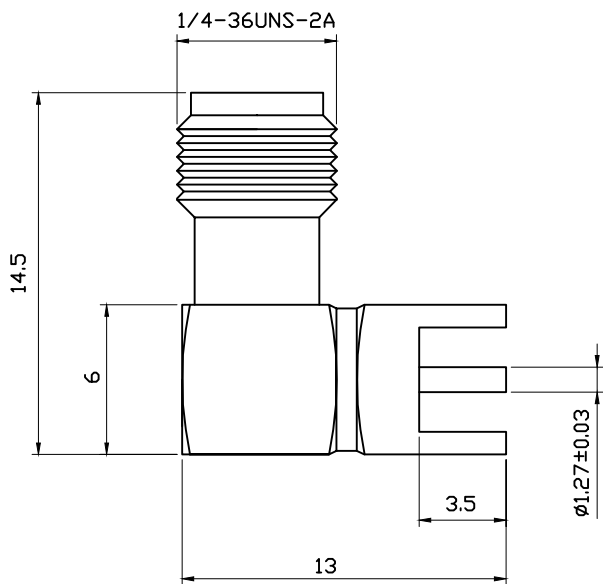
UNITS:mm	SHEET SIZE: A4		SCALE:---	DRWN BY PAN
0~3	3~18	18~50	50~120	CHK'D BY FENG
±0.12	±0.15	±0.3	±0.5	APPR BY ZHAN

PLB Mount SMA Connector Right Angle Jack Female

THIRD ANGLE PROJECTION



RHTAYMA002-B



Material:

Connector body: Brass, Gold Plating

Electrical Specifications.

Working Voltage: 250V

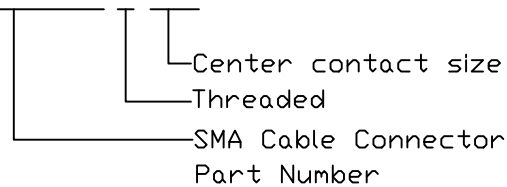
Withstand voltage: 900V

Durability: 500 Cycles

Temperature Range: -55°C to +155°C

Order information

RHTAYMA002-B-1.27



RHTECP NINGBO RHT ELECTRONIC CO.,LTD

UNITS:mm	SHEET SIZE: A4		SCALE:---	DRWN BY PAN
0~3	3~18	18~50	50~120	CHK'D BY FENG
±0.12	±0.15	±0.3	±0.5	APPR BY ZHAN

PCB Mount SMA Connector Right Angle Jack Female	
THIRD ANGLE PROJECTION 	RHTAYMA002-B-1.27