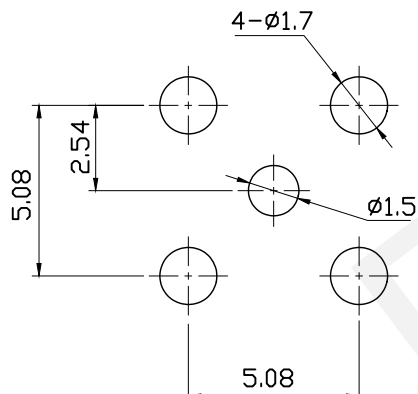
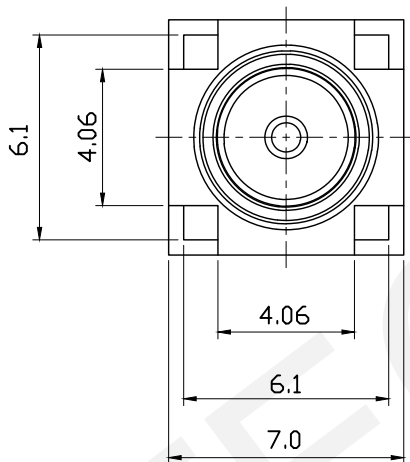
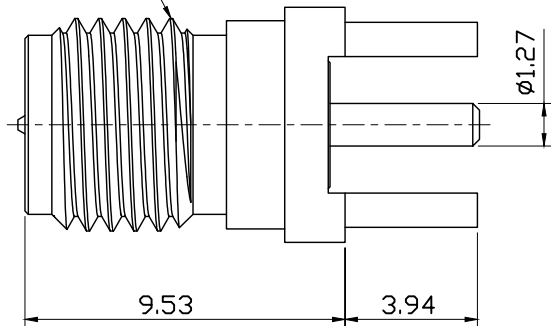
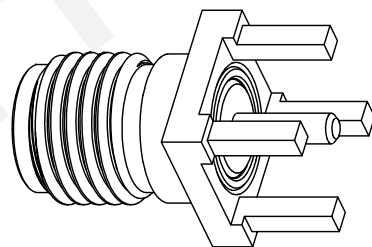


1/4-36UNS-2A



PCB Mounting Hole



Notes:

1. Materials And Finishes:

Body:Brass, Gold Plating

Contact:Brass, Gold Plating

Insulator:PTFE,Natural

2.Electrical:

Impedance:50ΩM


Frequency Range:0-6 GHz

Dielectric Withstanding Voltage :1000VRMS,Min.

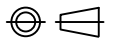
3.Mechanical:

Durability:500Cycles Min.

Temperature Range:-65°C TO + 165°C

 NINGBO RHT ELECTRONIC CO.,LTD

| | | | | | |
|----------|----------------|-------|--------|---------------|-------------|
| UNITS:mm | SHEET SIZE: A4 | | | SCALE:---- | DRWN BY PAN |
| 0~3 | 3~18 | 18~50 | 50~120 | CHK'D BY FENG | |
| ±0.12 | ±0.15 | ±0.3 | ±0.5 | APPR BY ZHAN | |

| | |
|---|------------|
| PCB Mount SMA Connector Straight(Jack,Male,50Ω)L13.5mm | |
| THIRD ANGLE PROJECTION  | RHTAYMA003 |