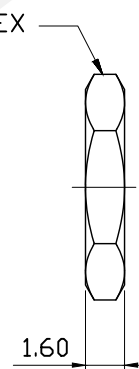
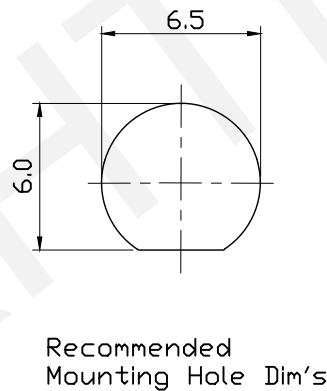
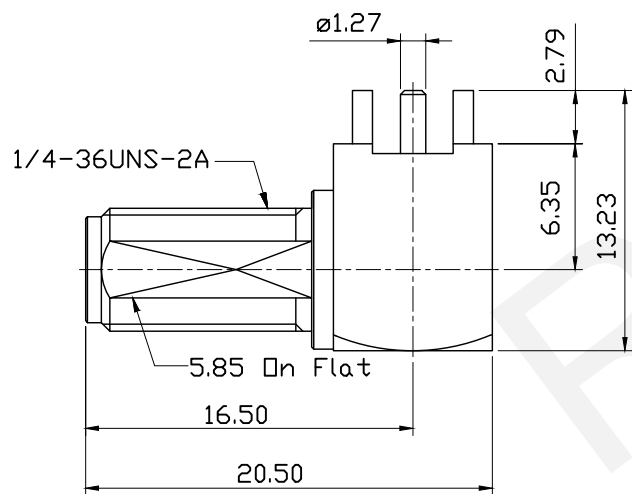


Recommended PCB Mounting Holes



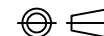
- Material:
- Body: Brass, Gold Plating
 - Housing: Brass, Gold Plating
 - Contact Pin: Ber. Copper, Gold Plating
 - Insulator: PTFE, Natural
 - NUT: Brass, Gold Plating
 - Lock Washer: Brass, Gold Plating
 - Cover: Brass, Gold Plating
- Electrical Specification:
- Impedance: 50Ω
 - D.W.V: 500 VRMS, Min
- Mechanical Specifications:
- Durability: 500 Cycles Min.
 - Temperature Range: -65°C to +165°C
 - Max. Panel Thickness 2.4mm

 NINGBO RHT ELECTRONIC CO.,LTD

UNITS:mm	SHEET SIZE: A4	SCALE:---	DRWN BY PAN
0~3	3~18	18~50	50~120
±0.12	±0.15	±0.3	±0.5
CHK'D BY FENG		APPR BY ZHAN	

PLB Mount SMA Connector Right Angle(Jack,Female,50Ω)

THIRD ANGLE PROJECTION



RHTAYMA006B