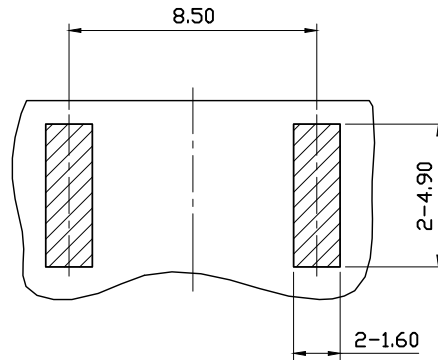
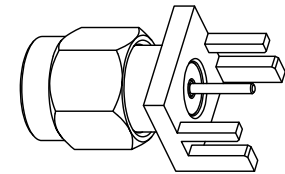


TOP VIEW

RECOMMENDED PCB LAYOUT



BOTTOM VIEW



Electrical:

Impedance:50Ω

Frequency Range:0-6 GHz

Dielectric Withstanding Voltage:1000 VRMS Min.

Durability:500Cycles Min

Temperature Range:- 65°C to +165°C

Board Thickness=1.57mm

Contact Pin Must Withstand 6 Lbs Min.

Axial In Both Directions And 4 In -OZ Min.

Radial Force

Material:

Body:Brass,Gold Plating

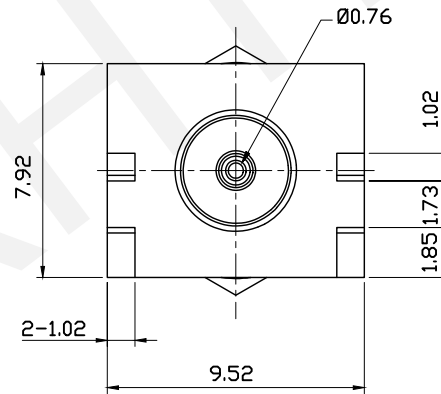
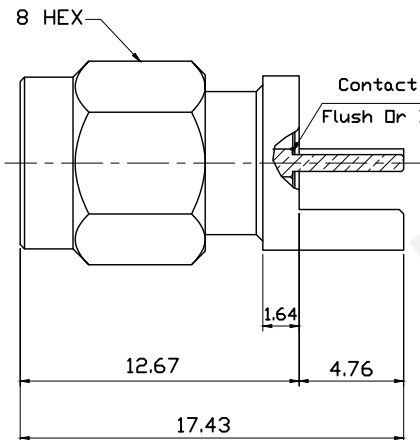
Insulator:PTFE,Natural

Contact Pin:Brass,Gold Plating

Shell:Brass,Gold Plating

Gasket:Silicone Rubber,Red

Retainer Ring:Stainless Steel,Natural

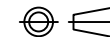


 NINGBO RHT ELECTRONIC CO.,LTD

UNITS:mm	SHEET SIZE: A4		SCALE:---	DRWN BY PAN
0~3	3~18	18~50	50~120	CHK'D BY FENG
±0.12	±0.15	±0.3	±0.5	APPR BY ZHAN

SMA PCB End Launch Pl 50Ω 0.062 (Plug, Male) L 17.2mm

THIRD ANGLE PROJECTION



RHTAYMA021