

Material
 Housing:PA66, UL94 V-0
 Screws:M2.5,Steel,Zn Plated
 Clamp:Phosphor bronze,Ni Plated
 Wire guard: Stainless steel

Electrical
 Rated voltage:300V
 Rated current:8A
 Contact Resistance:20 mΩ
 Insulation resistance:500MΩ/DC500V
 Withstand voltage:AC2000V/1min
 Wire Range:28~16AWG 1.0mm²

Mechanical:
 Temp.Range:-40℃~+105℃
 Strip length:7~8mm
 Torque:0.4Nm(3.6 bin)

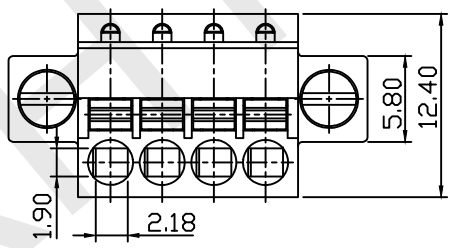
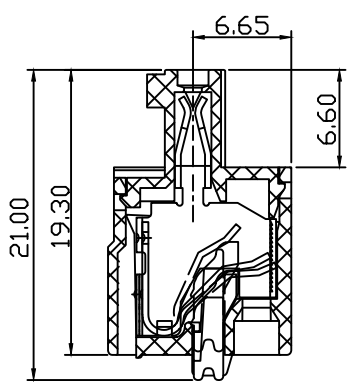
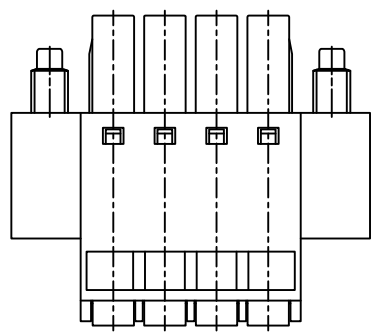
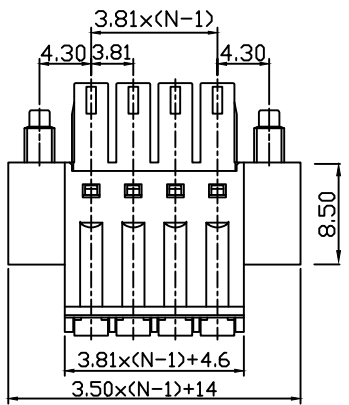
Order Information

RHTBYDGKDM-3.50-XXP-4 S 00
 Terminal Block
 Pitch
 No. of Pole
 Color: 4-Green
 Screw: S-Slot Screw C-Cross Screw
 Product Code: 00~99

RHTECP NINGBO RHT ELECTRONIC CO.,LTD

UNITS:mm	SHEET SIZE: A4			SCALE:---	DRWN BY PAN
0~3	3~18	18~50	50~120	CHK'D BY FENG	
±0.12	±0.15	±0.3	±0.5	APPR BY ZHAN	

Pluggable Terminal Block 3.50MM
 THIRD ANGLE PROJECTION
 RHTBYDDV-3.50-XXP-4S-00



Material

Housing:PA66, UL94 V-0
 Screws:M2.5,Steel,Zn Plated
 Clamp:Phosphor bronze,Ni Plated
 Wire guard: Stainless steel

Electrical

Rated voltage:300V
 Rated current:8A
 Contact Resistance:20 mΩ
 Insulation resistance:500MΩ/DC500V
 Withstand voltage:AC2000V/1min
 Wire Range:28~16AWG 1.0mm²

Mechanical:

Temp.Range:-40℃~+105℃
 Strip length:7~8mm
 Torque:0.4Nm(3.6 bin)

Order Information

RHTBYDGKDM-3.81-XXP-4 S 00
 Terminal Block _____
 Pitch _____
 No. of Pole _____
 Color: 4-Green _____
 Screw: S-Slot Screw C-Cross Screw _____
 Product Code: 00~99 _____



NINGBO RHT ELECTRONIC CO.,LTD

UNITS:mm	SHEET SIZE: A4			SCALE:---	DRWN BY PAN
0~3	3~18	18~50	50~120	CHK'D BY FENG	THIRD ANGLE PROJECTION
±0.12	±0.15	±0.3	±0.5	APPR BY ZHAN	

Pluggable Terminal Block 81MM
 RHTBYDDV-3.81-XXP-4S-00