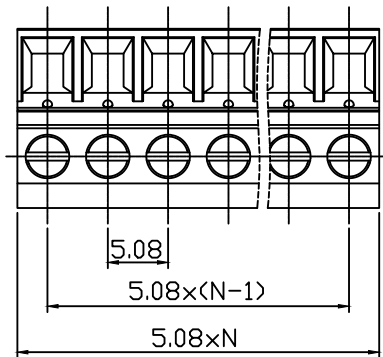


SECTION A-A



Material  
 Housing:PA66,UL94V-0  
 Cage:Steel,Zn plated  
 Screws:M2.5, Steel,Zn plated  
 Slide block:Steel,Zn plated  
 Clamp:Phosphor bronze, Ni plated

Electrical  
 Rated voltage:300V  
 Rated current:15A  
 Contact Resistance:20 mΩ  
 Insulation resistance:500MΩ/DC500V  
 Withstand voltage:AC2000V/1min  
 Wire Range:28~14AWG 15mm<sup>2</sup>

Mechanical  
 Temp.Range:-40℃~+105℃  
 Strip length:7~8mm  
 Torque:0.54m(3.6Lbin)

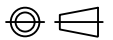
Order Information

RHTBYDKC-5.08-XXP-4 S 00

Terminal Block —  
 Pitch —  
 No. of Pole —  
 Color: 4-Green —  
 Screw: S-Slot Screw C-Cross Screw —  
 Product Code: 00~99 —

 NINGBO RHT ELECTRONIC CO.,LTD

UNITS:mm	SHEET SIZE: A4			SCALE:---	DRWN BY PAN
0~3	3~18	18~50	50~120	CHK'D BY FENG	
±0.12	±0.15	±0.3	±0.5	APPR BY ZHAN	

Pluggable Terminal Block 5.08MM  
 THIRD ANGLE PROJECTION  
 RHTBYDKC-5.08-XXP-4S-00