

Material

Housing:PA66,UL94V-0

Pin header:Brass, Tin plated

Electrical

Rated voltage:300V

Rated current:8A

Contact Resistance:≤20 mΩ

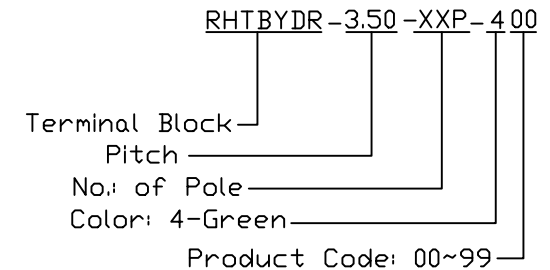
Insulation resistance:500MΩ/DC500V

Withstand voltage:AC2000V/1min

Mechanical

Temp. Range:-40℃~+ 105℃

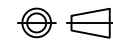
Order Information

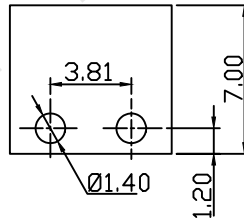
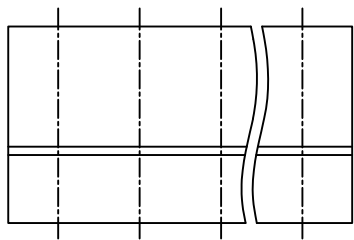
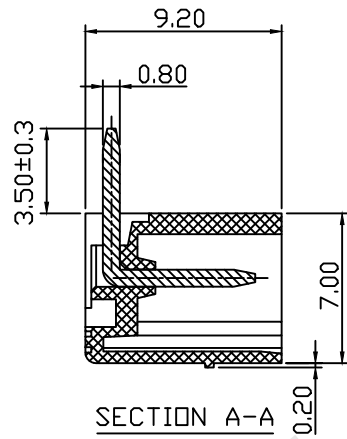
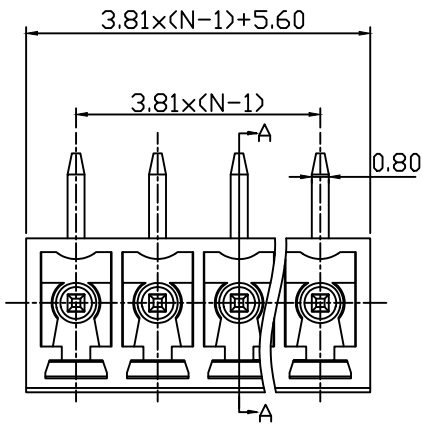


RHTECP NINGBO RHT ELECTRONIC CO.,LTD

UNITS:mm	SHEET SIZE: A4			SCALE:---	DRWN BY PAN
0~3	3~18	18~50	50~120	CHK'D BY FENG	
±0.12	±0.15	±0.3	±0.5	APPR BY ZHAN	

Pluggable Terminal Block 3.50MM	
THIRD ANGLE PROJECTION	RHTBYDR-3.50-XXP-4-00





Material
Housing:PA66,UL94V-0
Pin header:Brass, Tin plated

Electrical
Rated voltage:300V
Rated current:8A
Contact Resistance:≤20 mΩ
Insulation resistance:500MΩ/DC500V
Withstand voltage:AC2000V/1min

Mechanical
Temp. Range:-40℃~+ 105℃

Order Information

RHTBYDR-3.81-XXP-4 00
Terminal Block
Pitch
No. of Pole
Color: 4-Green
Product Code: 00~99

RHTECP NINGBO RHT ELECTRONIC CO.,LTD

UNITS:mm	SHEET SIZE: A4			SCALE:---	DRWN BY PAN
0~3	3~18	18~50	50~120	CHK'D BY FENG	
±0.12	±0.15	±0.3	±0.5	APPR BY ZHAN	

Pluggable Terminal Block 3.81MM
THIRD ANGLE PROJECTION
 RHTBYDR-3.81-XXP-4-00