

Material:

Connector body: Environmental brass

Connector housing: Gold Plated

Inner Conductor: Gold plating

Electrical Specifications:

Impedance: 50Ω

Insulation Resistance: 5,000MΩ

Voltage Rating: 335V

Dielectric Withstanding Voltage: 1000Vrms

Frequency Range: 0-6 GHz, VSWR 1.3 Max

Durability: 500 Cycles Min

Temperature Range: -55°C to +165°C

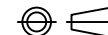


NINGBO RHT ELECTRONIC CO.,LTD

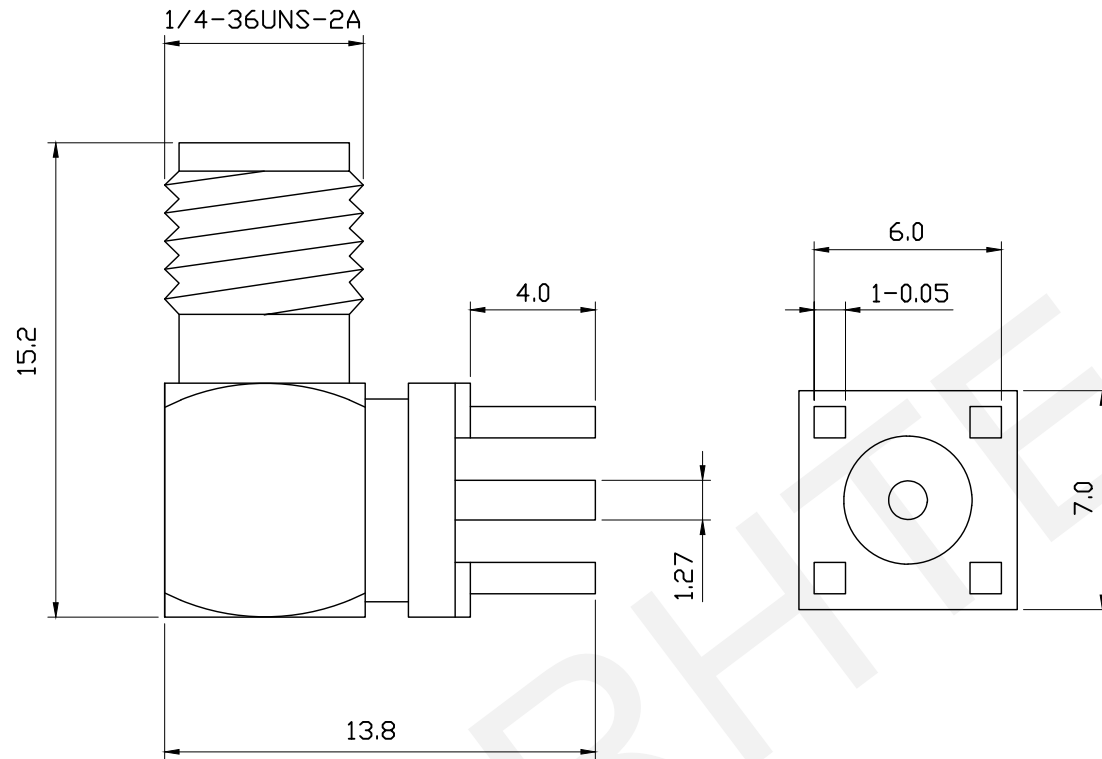
UNITS:mm	SHEET SIZE: A4	SCALE:---	DRWN BY PAN
0~3	3~18	18~50	50~120
±0.12	±0.15	±0.3	±0.5
			CHK'D BY FENG
			APPR BY ZHAN

PCB Mount SMA Connector Right Angle Jack Male

THIRD ANGLE PROJECTION



RHTAYMA002A



Electrical Specifications:

Impedance: 50Ω

Frequency Range: 0-6 GHz

Voltage Rating : 335V olts rms.

Dielectric Withstanding Voltage : 500 volts rms.

VSWR : 1.25 +0.025 f(GHz) for Right angle connector typical

Contact Resistance Center contact: 2.0mΩ

Body: 2.0mΩ

Insulation Resistance: 5,000MΩ

Mechanical Specifications:

Mating: 1/4 "-36UNS thread coupling

Cable retention: 6kgf typical

Durability: 500 Cycles Min.

Coupling nut retention: 18kgf Min.

Temperature Range: -55°C to +155°

Material:

Connector body: Brass per QQ-B-626 ,gold Plating or nickel

Center contact Male: Brass, gold Plating

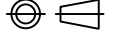
Center contact Female: Beryllium copper, gold Plating

Insulator: PTFE

Crimp Ferrule: Annealed copper

 NINGBO RHT ELECTRONIC CO.,LTD

UNITS:mm	SHEET SIZE: A4		SCALE:---	DRWN BY PAN
0~3	3~18	18~50	50~120	CHK'D BY FENG
±0.12	±0.15	±0.3	±0.5	APPR BY ZHAN

SMA Connectors	
THIRD ANGLE PROJECTION 	RHTAYMA-KWE-77-15.1