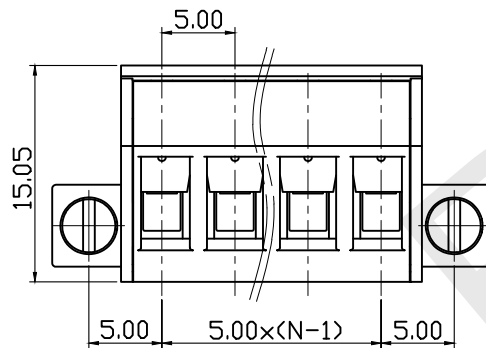


SECTION:A-A



Material

Housing:PA66,UL94V-0

Wire guard:Brass,Ni plated

Clamp:Phosphor bronze, Ni plated

Screws:M3.0, Steel,Zn plated

Electrical

Rated voltage:300V

Rated current:15A

Contact Resistance:20mΩ

Insulation resistance:500MΩ/DC500V

Withstand voltage:AC2000V/1min

Wire Range:28~14AWG1.5mm<sup>2</sup>

Mechanical

Temp. Range:-40℃+105℃

Strip length:7~8

Torque:0.5Nm(4.5Lbin)

Order Information

RHTBYDCKM-5.00-XXP-4 S 00

Terminal Block

Pitch

No. of Pole

Color: 4-Green

Screw: S-Slot Screw C-Cross Screw

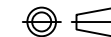
Product Code: 00~99

 NINGBO RHT ELECTRONIC CO.,LTD

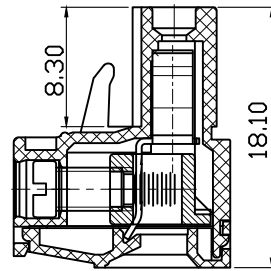
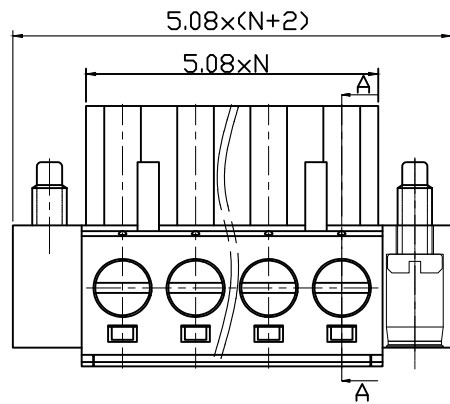
UNITS:mm	SHEET SIZE: A4			SCALE:---	DRWN BY PAN
0~3	3~18	18~50	50~120	CHK'D BY FENG	
±0.12	±0.15	±0.3	±0.5	APPR BY ZHAN	

Pluggable Terminal Block 5.00MM

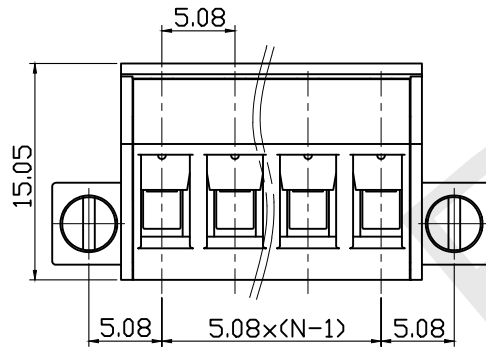
THIRD ANGLE PROJECTION



RHTBYDCKM-5.00-XXP-4S-00



SECTION: A-A



Material

Housing: PA66, UL94V-0

Wire guard: Brass, Ni plated

Clamp: Phosphor bronze, Ni plated

Screws: M3.0, Steel, Zn plated

Electrical

Rated voltage: 300V

Rated current: 15A

Contact Resistance: 20mΩ

Insulation resistance: 500MΩ/DC500V

Withstand voltage: AC2000V/1min

Wire Range: 28~14AWG 1.5mm<sup>2</sup>

Mechanical

Temp. Range: -40°C~+105°C

Strip length: 7~8

Torque: 0.5Nm (4.5Lbin)

Order Information

RHTBYDCKM-5.08-XXP-4 S 00

Terminal Block

Pitch

No. of Pole

Color: 4-Green

Screw: S-Slot Screw C-Cross Screw

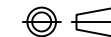
Product Code: 00~99

**RHTECP** NINGBO RHT ELECTRONIC CO.,LTD

UNITS:mm	SHEET SIZE: A4			SCALE: ---	DRWN BY PAN
0~3	3~18	18~50	50~120	CHK'D BY FENG	
±0.12	±0.15	±0.3	±0.5	APPR BY ZHAN	

Pluggable Terminal Block 5.08MM

THIRD ANGLE PROJECTION



RHTBYDCKM-5.08-XXP-4S-00