

PCB Mounting Hole

Recommended Mounting Hole

Material:

Housing/Body: Brass, Gold Plating

Contact Pin: Ber. Copper, Gold Plating

Insulator: Teflon, Natural

Lock Washer: Brass, Gold Plating

Hex Nut: Brass, Gold Plating

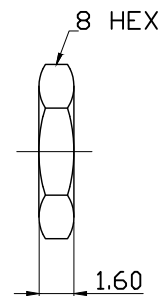
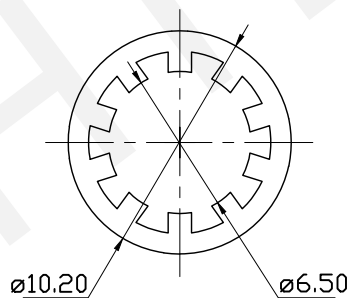
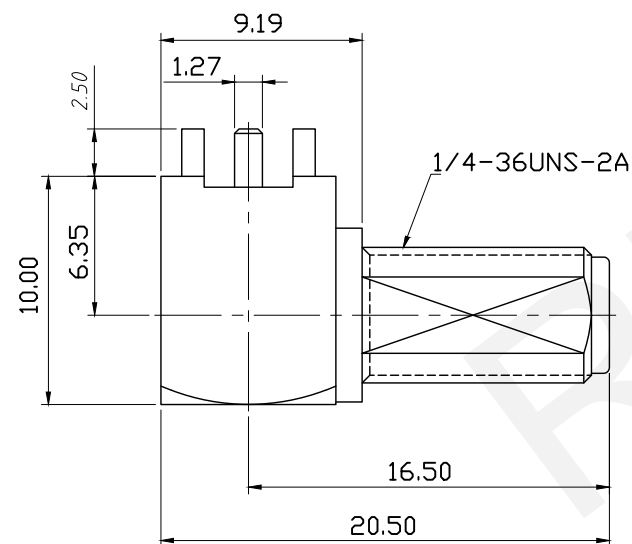
Electrical Specifications:

Impedance: 50Ω

Mechanical Specifications:

Durability: 500 Cycles Min.

Temperature Range: -65°C to + 165°C

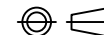


 NINGBO RHT ELECTRONIC CO.,LTD

UNITS:mm	SHEET SIZE: A4			SCALE:---	DRWN BY PAN
0~3	3~18	18~50	50~120	CHK'D BY FENG	
±0.12	±0.15	±0.3	±0.5	APPR BY ZHAN	

PCB Mount SMA Connector Right Angle(Jack,Female,50Ω)

THIRD ANGLE PROJECTION



RHTAYMA-KYWE