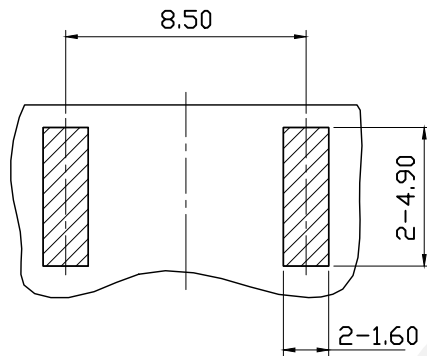
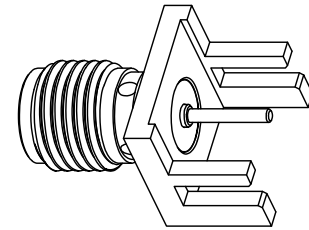


TOP VIEW

RECOMMENDED PCB LAYOUT



BOTTOM VIEW



Material:

Body:Brass,Gold Plating

Insulator:PTFE,Natural

Contact Pin:Ber.Copper,Gold Plating

Electrical:

Impedance:50Ω

Frequency Range:0-6 GHz

VSWR :1.3 Max.

Dielectric Withstanding Voltage: 1000 VRMS Min.

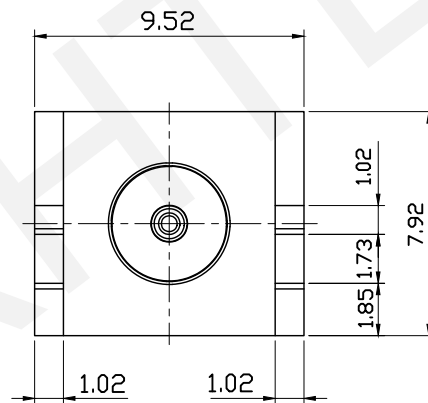
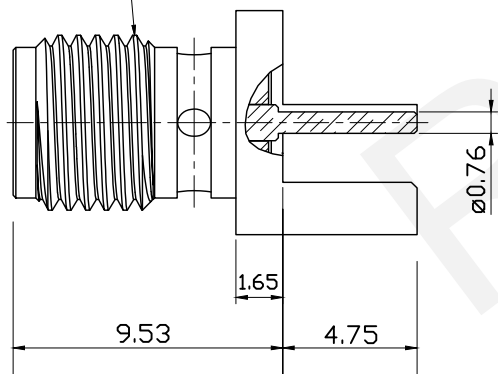
Board Thickness=1.57mm

Contact Pin Must Withstand 6 Lbs Min.

Axial In Both Directions And 4 In -0Z Min.

Radial Force.

1/4-36UNS-2A



RHTECP

NINGBO RHT ELECTRONIC CO.,LTD

UNITS:mm

SHEET SIZE: A4

SCALE:---

DRWN BY PAN

RF Connector SMA PCB End
Launch(Jack, Female)L14.3mm/L17.4mm

0~3

3~18

18~50

50~120

CHK'D BY FENG

THIRD ANGLE PROJECTION

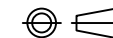
±0.12

±0.15

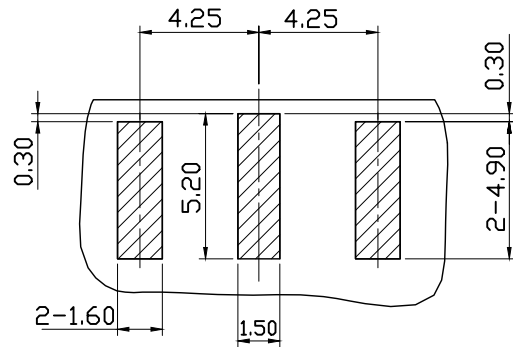
±0.3

±0.5

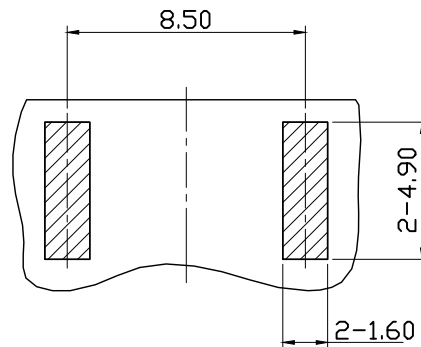
APPR BY ZHAN



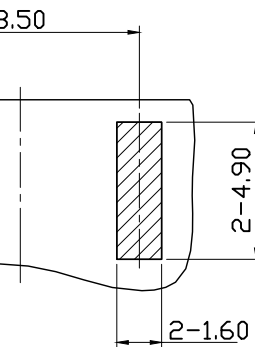
RHTAYMA017-L14.3



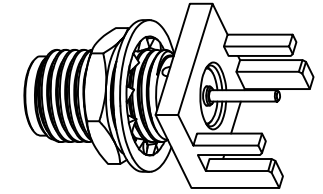
TOP VIEW



RECOMMENDED PCB LAYOUT



BOTTOM VIEW



Material:

Body:Brass,Gold Plating

Insulator:PTFE,Natural

Contact Pin:Ber,Copper,Gold Plating

Lock Washer:Brass,Gold Plating

Hex Nut:Brass,Gold Plating

Electrical:

Impedance:50Ω

Frequency Range:0-6 GHz

Dielectric Withstanding Voltage:1000 VRMS Min.

Durability:500Cycles Min

Temperature Range:-65°C to +165°C

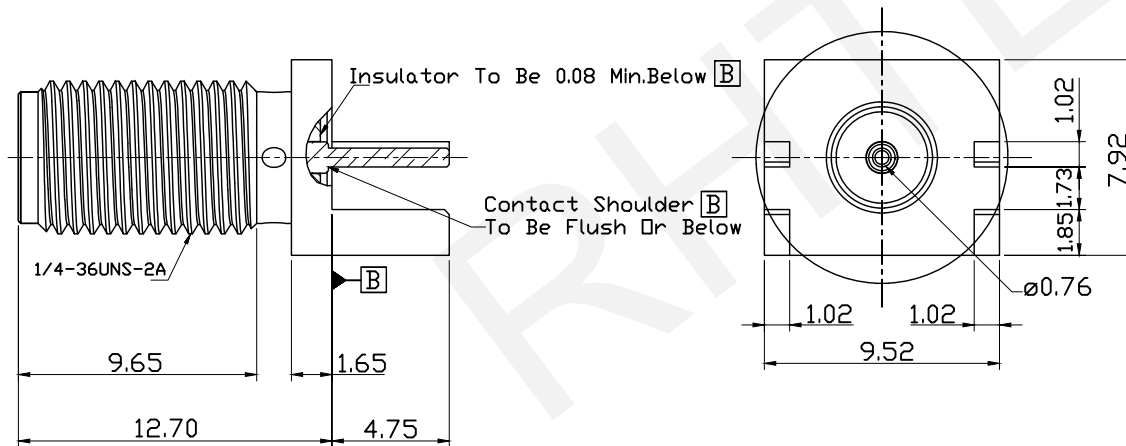
Board Thickness=1.57mm

Max.Panel Thickness=3.5mm

Contact Pin Must Withs tand 6 Lbs Min.

Axial In Both Directions And 4 In -0Z Min.

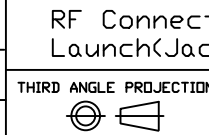
Radial Force



NINGBO RHT ELECTRONIC CO.,LTD

UNITS:mm	SHEET SIZE: A4	SCALE:---	DRWN BY PAN
0~3	3~18	18~50	50~120
±0.12	±0.15	±0.3	±0.5

CHK'D BY FENG	APPR BY ZHAN
---------------	--------------



RF Connector SMA PCB End
Launch(Jack,Female)L14.3mm /L17.4mm
RHTAYMA017-L17.4